

# LAMAX

ELECTRONICS

---

## LAMAX W9.2

ACTION CAMERA



EN – USER MANUAL  
DE – BENUTZERHANDBUCH  
CS – UŽIVATELSKÁ PŘÍRUČKA  
SK – POUŽÍVATEĽSKÁ PRÍRUČKA  
PL – INSTRUKCJA OBSŁUGI  
HU – FELHASZNÁLÓI KÉZIKÖNYV  
HR – KORISNIČKI PRIRUČNIK  
SL – UPORABNIŠKI PRIROČNIK

# LAMAX

ELECTRONICS

---

## LAMAX W9.2

ACTION CAMERA



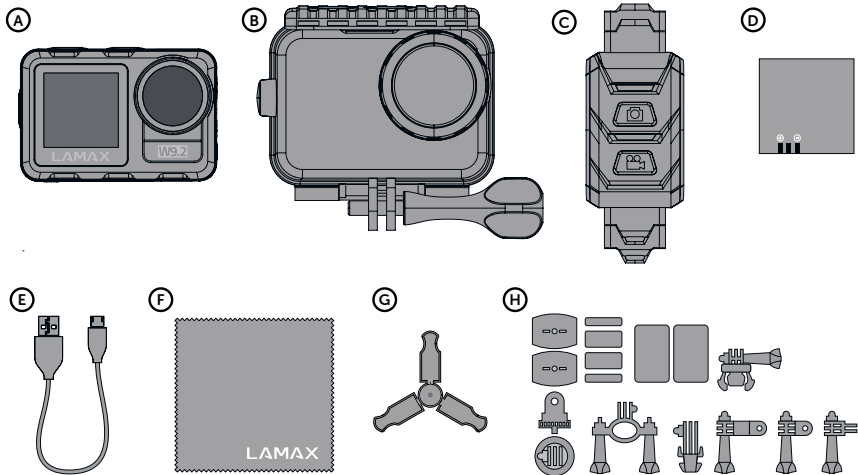
---

## CONTENTS

1. BOX CONTENTS .....	2
2. GETTING TO KNOW YOUR CAMERA.....	3
3. CAMERA CONTROLS .....	4
4. TURNING IT ON FOR THE FIRST TIME.....	4
5. VIDEO MODE SETTINGS.....	5
6. PHOTO MODE SETTINGS.....	5
7. CAMERA SETTINGS .....	6
8. WIFI – MOBILE APP.....	7
9. WATER RESISTANCE .....	7
10. SAFETY PRECAUTIONS.....	8

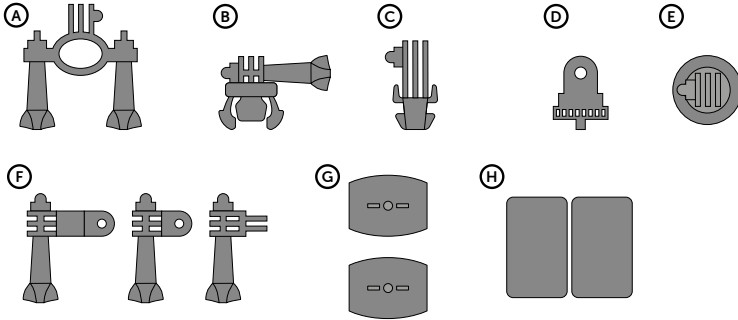
---

### 1. BOX CONTENTS



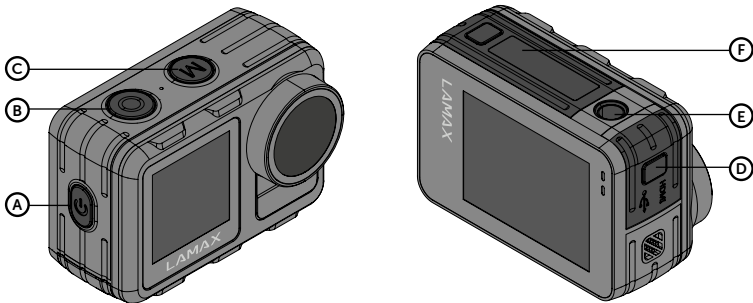
- A** LAMAX W9.2 Action Camera
- B** Case, waterproof up to 40 m
- C** Remote control, waterproof up to 2 m
- D** Li-ion battery
- E** USB-C cable for charging/transferring files
- F** Microfibre cloth
- G** Mini tripod
- H** Mounts

## MOUNTS



- (A) Pole mount – to mount, for example, on handlebars
- (B) Fast plug-in – to quickly snap in place
- (C) J mount – to quickly snap in place with elevation
- (D) Tripod adapter – to connect the camera without a case
- (E) Tripod adapter – to connect the camera in the case to the tripod
- (F) 3-axis connector (3 parts) – to mount in any direction
- (G) Adhesive mounts (2×) – to attach to a smooth surface (helmet, hood)
- (H) Spare 3M adhesive pads (2×) – to reattach the adhesive mount





## 2. GETTING TO KNOW YOUR CAMERA



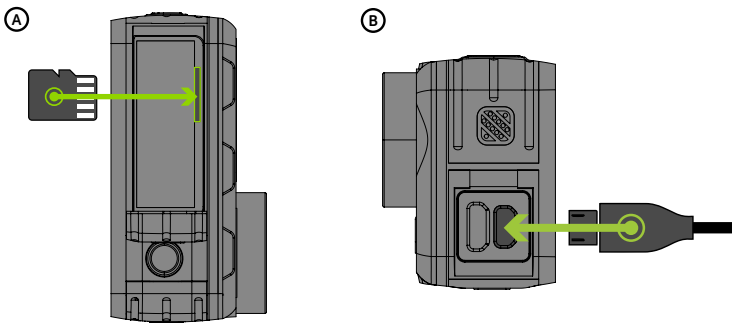
- (A) POWER button
- (B) REC button
- (C) MODE button
- (D) Cover for USB-C and micro HDMI connector
- (E) Door for battery and microSD card slot
- (F) Thread to attach the camera to a tripod or selfie stick

**Note:** Use only the recommended accessories, otherwise the camera may be damaged.

### 3. CAMERA CONTROLS

<b>Turn on / off</b>	Hold down the POWER button or swipe down and press the POWER icon
<b>Start / stop the recording or take a photo</b>	Press the REC button
<b>Switch quickly between photo / video mode</b>	Swipe to the side or press the MODE button
<b>Select the mode</b>	Touch the icon  or swipe up and select the desired mode
<b>Settings</b>	Touch the icon 
<b>View files</b>	Touch the icon 
<b>Switch between displays</b>	Hold the MODE button
<b>Turn WiFi on / off</b>	Press the POWER button or touch the WiFi icon, which you can find by touching the icon 

### 4. TURNING IT ON FOR THE FIRST TIME



#### **(A) INSERT THE MICROSD CARD INTO THE CAMERA AS SHOWN (CONNECTORS TOWARDS THE LENS)**

- Only insert the card when the camera is turned off and not connected to your computer.
- Format the card directly in the camera the first time you use it.
- We recommend memory cards with a higher write speed (UHS Speed Class -U3 and higher) and a maximum capacity of 128 GB.

**Note:** Use only micro SDHC or SDXC cards from reputable manufacturers. With generic third-party cards, there is no guarantee that the data storage will work properly.

#### **(B) CONNECT THE CAMERA TO A POWER SOURCE**

- You can charge the camera by either connecting it to your computer or using an optional AC adapter.
- It takes approximately 4.5 hours to charge the battery from 0 to 100%. When charged, the charge indicator turns off.

**Note:** Charging the battery from 0 to 80% takes 2.5 hours.

## 5. VIDEO MODE SETTINGS

<b>Video resolution</b>	The resolution and FPS (frames per second) settings at which the camera will record.
<b>Video quality</b>	Sets the desired video quality.
<b>Audio recording</b>	Sets whether the camera records audio.
<b>Exposure</b>	Exposure compensation setting. A higher value means a lighter video, a lower value means a darker video.
<b>Stabilization</b>	MaxSmooth stabilization on/off, available in all resolutions at a maximum of 60 FPS. When stabilized, the field of view (FOV) is smaller and can negatively affect video quality in low-light conditions. It cannot be combined with the fisheye correction feature.
<b>Loop recording</b>	When enabled, the video is divided into time segments according to the chosen settings.
<b>Time-lapse interval</b>	Sets the time interval at which the camera will take photos, which it then saves as a single video file.
<b>Time-lapse duration</b>	Sets the duration of the time-lapse video. After the set time has elapsed, the recording will stop.
<b>Slow motion video</b>	Slow motion videos can be recorded at resolutions with a frame rate of 60 FPS and 120 FPS. For the best results, we recommend using a tripod.
<b>Fast motion video</b>	Selects the value for fast motion video recording.
<b>Wind noise reduction</b>	Improves the audio recorded in strong winds.
<b>Metering</b>	Sets how the exposure is metered. There are three modes („Center“, „Average“ and „One Point“) to choose from. <ul style="list-style-type: none"><li>› <b>Center</b> – for shooting objects that will mainly be in the middle of the shot.</li><li>› <b>Average</b> – the camera obtains light information from the entire scene and sets average values.</li><li>› <b>Single point</b> – allows you to measure a small part of the scene, the default setting being the center. Use the touch screen to select another point from which the camera determines the exposure.</li></ul>
<b>Date stamp</b>	Turns the date and time stamp on the recorded video on/off.

## 6. PHOTO MODE SETTINGS

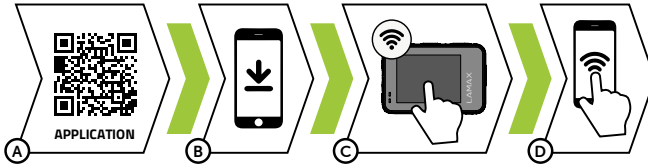
<b>Photo resolution</b>	Sets the resolution of the photos you take.
<b>ISO</b>	ISO settings. Setting the ISO value determines its sensitivity to light.
<b>Exposure</b>	Exposure compensation settings. A higher value means a lighter photo, a lower value means a darker photo.
<b>Time-lapse interval</b>	Sets the time interval at which the camera will take pictures that it saves as individual files.
<b>Time-lapse duration</b>	Sets the duration of time-lapse photos.

<b>Self-timer</b>	Sets the time interval for the self-timer.
<b>Long exposure</b>	Sets the exposure time. Under this setting, the camera leaves the shutter open for longer than normal. For best results, we recommend using a tripod and not moving the camera.
<b>Date stamp</b>	Turns the date and time stamp on/off in the photo taken.


## 7. CAMERA SETTINGS

<b>Network frequency</b>	Enables you to select the frequency in accordance with the frequency of the grid (on the European continent there is a current with a frequency of 50 Hz, in the Americas and parts of Asia it is 60 Hz).
<b>Sounds</b>	Turns the camera system sounds on/off and adjusts their volume.
<b>White balance</b>	Adjusts the white balance for different ways of lighting a scene.
<b>Effects</b>	Sets colour modes.
<b>LDC</b>	Turns fisheye correction on/off. When on, it reduces the field of view. Cannot be combined with the image stabilization function.
<b>Date and time</b>	Sets the system date and time.
<b>Screen saver</b>	Sets the time after which the display automatically turns off to save battery. Touch the display or press the buttons to activate the display again.
<b>Auto power off</b>	Sets the camera to turn off automatically when idle. When turned on, the camera powers off if not recording video.
<b>Power on auto record</b>	Sets the camera to automatically record when powered on.
<b>Language</b>	Selects the language.
<b>Format</b>	Erases all data on the memory card.
<b>System</b>	Accesses camera firmware information, memory card information as well as restoring factory settings.

## 8. WIFI – MOBILE APP



The mobile app enables you to change camera modes and settings, or view and download videos and photos directly to your mobile device.

- Scan the QR code to download the app or click the following link:  
<https://www.lamax-electronics.com/w92/app/>
- Install the app on your mobile device.
- Turn on the camera WiFi by pressing the POWER button or by touching the „WiFi“ icon, which you can find by touching on the icon .
- On your mobile device, connect to the WiFi network named after the camera. The WiFi password is shown on the camera display (default: 1234567890).

## 9. WATER RESISTANCE

**Resistance when immersed in water under the following conditions:**

### **ACTION CAMERA:**

The camera without the case can resist immersion to a depth of 12 metres. Before immersion, make sure that the covers on the side and bottom of the camera are properly closed. Covers and seals must be free from any impurities such as dust, sand and alike. Do not open camera covers before the camera body is dry. If used in salt water, rinse the camera with drinking water. Do not use any fabrics or external heat sources (hairdryer, microwave oven, etc.) to dry, always allow the camera to dry gradually.

### **WATERPROOF CASE:**

The case can resist immersion to a depth of 40 metres. Before using the camera in the case, make sure that the rear door of the case is properly closed using the mechanism on the top of the case. The case door and seal must be free of any impurities such as dust, sand and alike. When used in salt water, rinse the case with drinking water. Do not use any fabrics or external heat sources (hairdryer, microwave oven, etc.) for drying, always allow the case to dry gradually. When in the waterproof case, the touch screen of the camera display cannot be used, and the camera must be operated using the buttons.

### **REMOTE CONTROL:**

The remote control can resist immersion to a depth of 2 metres. Before immersion, make sure that the USB cover on the underside of the control is properly closed. Do not open the cover before the remote control has dried. Do not use external heat sources (hairdryer, microwave oven, etc.) for drying, allow the remote control to dry gradually or use a small cloth.



## 10. SAFETY PRECAUTIONS

**The consumer is required to learn the principles of safe use of the product before first use.**

### PRECAUTIONS AND NOTICES

- For your own safety, do not use the camera's controls while driving.
- A window mount is needed when using the recorder in a car. Make sure that you place the recorder in an appropriate place, so as not to obstruct the driver's view or deployment of airbags.
- Make sure that no object is blocking the camera lens and no reflective material is placed near the lens. Please keep the lens clean.
- If the car's windshield is tinted or coated, it may impact the recording quality.

### SAFETY PRECAUTIONS

- Do not use the charger in high moisture environment. Never touch the charger when your hands or feet are wet.
- Allow adequate ventilation around the charger when using it to operate the device or to charge the battery. Do not cover the charger with paper or other objects that will reduce cooling. Do not use the charger while it is inside a carrying case.
- Connect the charger to a proper power source. The voltage requirements are found on the product case and/or on the packaging.
- Do not use the charger if it is visibly damaged. In case of damage, do not repair the equipment yourself!
- In case of device overheating, immediately disconnect the power source.
- Charge the device under supervision only.
- Packaging contains small pieces, that can be dangerous for children. Store the product always out of reach of children. Bags or many of the pieces containing may cause suffocation after swallowing.

### SAFETY NOTICES FOR LI-ION BATTERIES


- Before first use, fully charge the battery.
- For charging only use chargers, that is specified for this type of battery.
- Use standard cables for charging, otherwise it could damage the device.
- Never connect to a mechanically damaged charger or if the batteries are swollen. Do not use batteries in this condition due to risk of explosion.
- Do not use any damaged adapter or charger.
- Charge at room temperature, never charge at a temperature below 0°C or at a temperature higher than 40°C.
- Avoid dropping the battery, don't puncture, or mutilate it. Definitely do not attempt to repair a damaged battery.
- Do not expose the charger or battery to moisture, water, rain, snow or any kind of various liquids.
- Do not leave the battery in the car, do not expose to direct sunlight and do not place it near heat sources. Strong light or high temperatures can damage the battery.
- Never leave batteries without supervision during charging, short circuit or accidentally overcharge. Some batteries are unsuitable for fast charging or being charged excessively. This can cause a shock, or due to charger failure, may cause leakage of aggressive chemicals, explosion or subsequent fire!
- In the case of excessive heating of the battery during charging, immediately disconnect it from the power supply.
- Do not place charger and charging battery on or near flammable objects. Beware of curtains, carpets, tablecloths etc.
- Once the battery or device with integrated battery is fully charged, disconnect it from the power supply.
- Keep the battery out of the reach of children and animals.
- Never disassemble the charger or battery. If the battery is integrated, do not disassemble the device, unless stated otherwise. Any such attempt is dangerous and can cause injury or damage to the product and subsequent loss of warranty.

- Do not dispose worn or damaged batteries into the trash, fire or into heating devices, but hand them in at collection points for hazardous waste.

## CARING FOR YOUR DEVICE

- Taking good care of your device will ensure trouble-free operation and reduce the risk of damage.
- Keep your device away from excessive moisture and extreme temperatures and avoid exposing your device to direct sunlight or strong ultraviolet light for extended periods of time.
- Do not drop your device or subject it to severe shock.
- Do not subject your device to sudden and severe temperature changes. This could cause moisture condensation inside the unit, which could damage your device. In the event of moisture condensation, allow the device to dry out completely before use.
- The screen surface can easily be scratched. Avoid touching it with sharp objects.
- Never clean your device when it is powered on. Use a soft, lint-free cloth to wipe the screen and the exterior of your device. Do not use paper towels to clean the screen.
- Never attempt to disassemble, repair or make any modifications to your device. Disassembly, modification or any attempt at repair could cause damage to your device and even bodily injury or property damage and will void any warranty.
- Do not store or carry flammable liquids, gases or explosive materials in the same compartment as your device, its parts or accessories.
- To discourage theft, do not leave the device and accessories in plain view in an unattended vehicle.
- Overheating may damage the device.
- In the case of contact with heavily chlorinated water or sea water, rinse the camera in drinking water and dry it.
- Do not use an external heat source such as a microwave oven or hair dryer to dry the camera.
- Always make sure that the battery door or the power port door is not ajar before swimming or diving. If they are, close them. Otherwise, the camera will not remain watertight.
- Wipe the touchscreen only with a cloth designed for the purpose and avoid scratching.

## OTHER INFORMATION

1) For households: This marking  indicates that this product should not be disposed with other household wastes throughout the EU. To prevent possible harm to the environment or human health from uncontrolled waste disposal, recycle it responsibly to promote the sustainable reuse of material resources. To return your used device, please use the return and collection systems or contact the retailer where the product was purchased. They can take this product for environmental safe recycling. In case of incorrect disposal of this kind of wastes user can be fined according to national laws. User information for disposal of electric and electronic devices in countries outside the EU: The symbol stated above (crossed recycle bin) is valid only in countries in European Union. For correct disposal of electric and electronic devices ask your city hall or distributor of these devices. Everything is expressed by the symbol of crossed recycle bin on product, cover or printed materials.

2) You can determine a warranty service at the place of purchase. In case of technical problems or queries contact your dealer who will inform you about the following procedure. Follow the rules for work with electric devices. User is not allowed to disassembly the device neither replace any of its components. To reduce the risk of electric shock, do not remove or open the cover. In case of incorrect setup and plug in of device you will expose yourself risk of electric shock.

The warranty period for the product is 24 months, unless specified otherwise. The warranty does not apply to damage caused by non-standard use, mechanical damage, exposure to aggressive conditions, handling contrary to the manual and regular wear and tear. The warranty period for the battery is 24 months, for its capacity 6 months.

The manufacturer, importer and distributor bear no responsibility for any damage cause by the assembly or improper use of the product.

**DECLARATION OF CONFORMITY:**

Hereby, elem6 s.r.o., declares that all LAMAX products are in compliance with the essential requirements and other relevant provisions of Directive 2014/30/EU and 2014/53/EU. Products are intended for sale without any restriction in Germany, Czech Republic, Slovak Republic, Poland, Hungary and other EU countries. Products are covered by a two year warranty, unless otherwise stated. You can download the Declaration of Conformity from the website: [www.lamax-electronics.com/support/doc](http://www.lamax-electronics.com/support/doc).

- Frequency band in which the radio equipment operates: 2412 MHz–2462 MHz
- Maximum radio-frequency power transmitted in the frequency band in which the radio equipment operates: 12.51 dBm

**MANUFACTURER:**

elem6 s.r.o., Braškovská 308/158, 161 00 Praha 6  
<https://www.lamax-electronics.com>



**Misprints and changes in the manual are reserved.**

# LAMAX

ELECTRONICS

---

## LAMAX W9.2

ACTION CAMERA



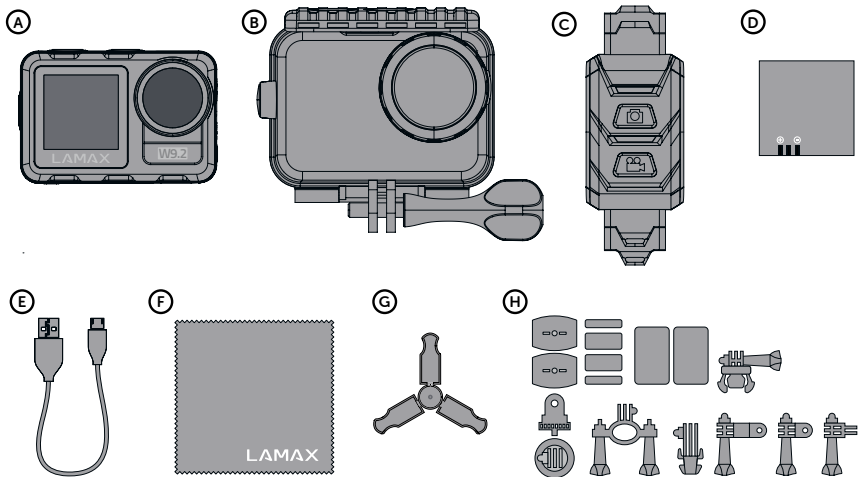
---

## INHALT

1. VERPACKUNGSIHALT .....	2
2. VORSTELLUNG DER KAMERA .....	3
3. BEDIENUNG DER KAMERA .....	4
4. ERSTE INBETRIEBNAHME .....	4
5. EINSTELLUNGEN IM VIDEO MODUS .....	5
6. EINSTELLUNGEN IM FOTO MODUS .....	5
7. KAMERA-EINSTELLUNGEN .....	6
8. WIFI – MOBILE APPLIKATION .....	7
9. WASSERDICHT .....	7
10. SICHERHEITSMASSNAHMEN .....	8

---

## 1. VERPACKUNGSIHALT



**A** LAMAX® W9.2 Aktionkamera

**B** Wasserdichte Hülle bis 40 m

**C** Bis 2 m wasserdichte Fernbedienung

**D** Li-ion Batterie

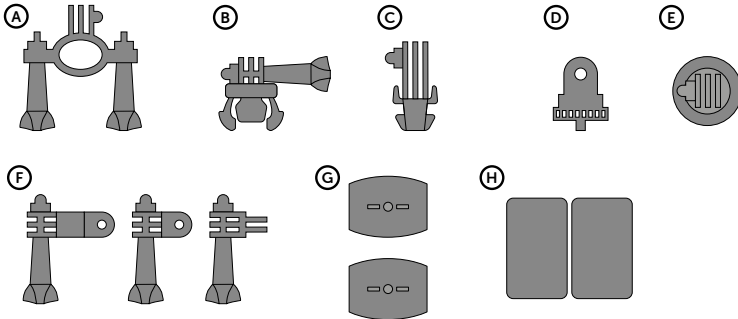
**E** USB-C Ladekabel/Datenkabel

**F** Mikrofaser Tuch

**G** Mini Stativ

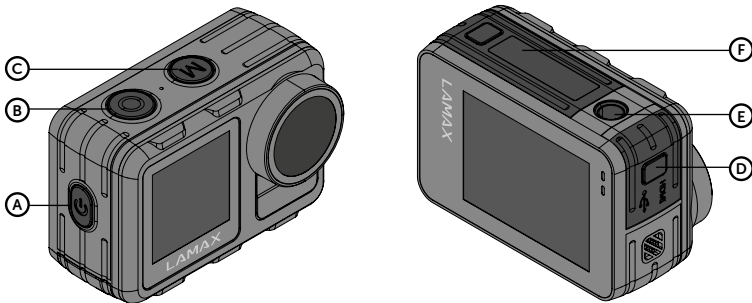
**H** Halterungen

## HALTERUNGEN



- (A)** Halterung für Stangen – zum Beispiel zur Befestigung an einem Fahrradlenker
- (B)** Fast plug-in – für ein schnelles einrasten der Halterung
- (C)** J mount – für ein schnelles Einrasten mit höherer Position
- (D)** Stativreduktion – zur Befestigung der Kamera ohne Hülle am Zubehör
- (E)** Stativadapter – zur Befestigung der Kamera mit Hülle am Stativ
- (F)** 3-axis connector (3 Teile) – zur Befestigung in beliebiger Richtung
- (G)** Selbstklebende Halterung (2x) – zur Befestigung auf glatten Oberflächen (Helm, Motorhaube)
- (H)** 3M Ersatz Klebepads (2x) – für ein erneutes Aufkleben der Klebehalterung





## 2. VORSTELLUNG DER KAMERA



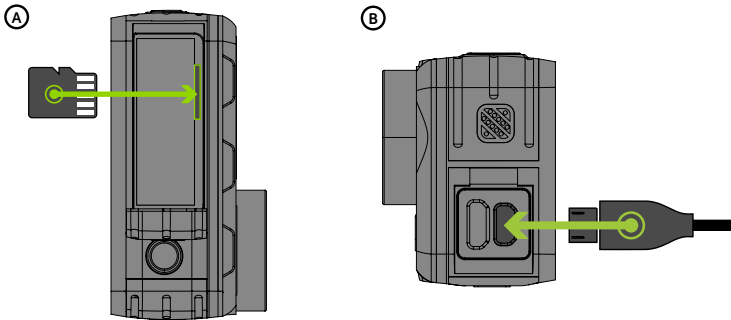
- (A)** POWER Taste
- (B)** REC Taste
- (C)** MODE Taste
- (D)** Türchen zu den USB-C und Micro HDMI Anschlüssen
- (E)** Türchen zur Batterie und dem Micro SD Kartenslot
- (F)** Gewinde zur Befestigung der Kamera auf einem Stativ oder einer Selfiestange

**Anmerkung:** Verwenden Sie nur empfohlenes Zubehör, sonst könnte die Kamera beschädigt werden.

### 3. BEDIENUNG DER KAMERA

<b>Ein- und Ausschalten</b>	Durch gedrücktes Halten der POWER Taste oder durch Ziehen des Daumens nach unten und Drücken des POWER Symbols
<b>Abspielen / Beenden der Aufzeichnung und Erstellung eines Fotos</b>	Drücken der REC Taste
<b>Schnelle Änderung des Modus Foto/Video</b>	Ziehen des Daumens zur Seite oder mit der MODE Taste
<b>Wahl des Modus</b>	Berühren des Symbols  oder Ziehen des Daumens nach oben wo Sie dann den gewünschten Modus wählen
<b>Einstellungen</b>	Berühren des Symbols 
<b>Dateiansicht</b>	Berühren des Symbols 
<b>Umschalten zwischen den Displays</b>	Gedrücktes Halten der MODE Taste
<b>WiFi Ein/Aus</b>	Durch Drücken der POWER Taste oder Berühren des „WiFi“ Symbols nach dem Anklicken des Symbols 

### 4. ERSTE INBETRIEBNAHME



#### **A) LEGEN SIE DIE MICRO SD KARTE SO WIE IN DER ABBILDUNG DARGESTELLT EIN (MIT DER STECKVERBINDUNG ZUM KAMERAOBJEKTIV)**

- Legen Sie die Karte nur dann ein, wenn die Kamera ausgeschaltet und nicht mit einem Computer verbunden ist.
- Formatieren Sie die Karte bei erstmaliger Verwendung direkt in der Kamera.
- Wir empfehlen Speicherkarten mit einer höheren Schreibgeschwindigkeit (UHS Speed Class –U3 und höher) und einer maximalen Kapazität von 128 GB.

**Anmerkung:** Verwenden Sie nur Micro SDHC oder SDXC Karten renommierter Hersteller. Karten der Nicht-Markenproduzenten gewährleisten keine richtige Funktion des Datenspeicherplatzes.

#### **B) VERBINDEN SIE DIE KAMERA MIT DER STROMVERSORUNG**

- Die Kamera können Sie sowohl durch das Anschließen an einen PC, als auch mithilfe eines Netzteils aufladen.
- Das Aufladen der Batterie von 0 auf 100 % dauert ungefähr 4,5 Stunden. Nachdem die Batterie geladen ist, erlischt die Ladestandanzeige.

**Anmerkung:** Das Aufladen der Batterie von 0 auf 80 % dauert 2,5 Stunden.

## 5. EINSTELLUNGEN IM VIDEO MODUS

<b>Videoauflösung</b>	Einstellung der Auflösung und FPS (Aufnahmen pro Sekunde) mit der die Kamera aufnehmen wird.
<b>Videoqualität</b>	Einstellung der gewünschten Videoqualität.
<b>Tonaufzeichnung</b>	Einstellung, ob die Kamera auch den Ton aufnehmen soll.
<b>Exposition</b>	Einstellung der Kompensation der Exposition. Ein höherer Wert bedeutet ein helleres Video, ein niedriger Wert ein dunkleres Video.
<b>Stabilisierung</b>	Ein/aus MaxSmooth Stabilisierung, die bei allen Auflösungen mit maximal 60 fps verfügbar ist. Bei eingeschalteter Stabilisierung ist der Aufnahmewinkel (FOV) kleiner und kann bei schlechten Lichtverhältnissen die Videoqualität negativ beeinflussen. Kann nicht mit der Funktion der Korrektur des Fischauges kombiniert werden.
<b>Zyklische Aufnahmen</b>	Wenn eingeschaltet, wird das Video in Zeitsegmente unterteilt, wie dies in den Einstellungen ausgewählt wurde.
<b>Aufnahmeserien</b>	Einstellung der Aufnahmeserie in der die Kamera Aufnahmen machen wird, die in weiterer Folge in einer Videodatei gespeichert werden.
<b>Dauer der Aufnahmeserie</b>	Hier kann die Dauer der Aufnahme eingestellt werden. Nachdem die eingestellte Dauer abgelaufen ist wird die Aufnahme beendet.
<b>Zeitlupe</b>	Zeitlupenaufnahmen können mit einer Bildfrequenz von 60 fps und 120 fps gemacht werden. Um bessere Ergebnisse zu erzielen, sollte ein Stativ verwendet werden.
<b>Zeitraffer</b>	Wahl des Wertes für die Zeitrafferaufnahme.
<b>Reduktion der Windgeräusche</b>	Diese Funktion verbessert die Tonqualität bei starkem Wind.
<b>Metering</b>	Einstellung der Art der Expositionsmessung. Es gibt drei Möglichkeiten „Mittel“, „Durchschnitt“ und „Ein Punkt“. <ul style="list-style-type: none"><li>➤ <b>Mittel</b> – Diese Einstellung eignet sich für Aufnahmen von Objekten, die sich überwiegend in der Mitte der Aufnahme befinden werden.</li><li>➤ <b>Durchschnitt</b> – Bei dieser Einstellung sammelt die Kamera Informationen über die Beleuchtung der gesamten Szene und stellt die Durchschnittswerte ein.</li><li>➤ <b>Ein Punkt</b> – Diese Einstellung ermöglicht die Messung eines kleinen Teils der Szene, Ausgangseinstellung ist Mittel. Der Benutzer kann mit Hilfe des Touch Displays einen anderen Punkt auswählen, aufgrund dessen die Kamera die Exposition festlegt.</li></ul>
<b>Datum im Video</b>	Ein/aus des in der Aufnahme angezeigten Datums und der Uhrzeit.

## 6. EINSTELLUNGEN IM FOTO MODUS

<b>Foto Auflösung</b>	Einstellung der Auflösung der gemachten Fotos.
<b>ISO</b>	Einstellung des ISO Wertes. Der eingestellte ISO Wert legt die Lichtempfindlichkeit fest. Je höher der Wert, umso heller die Aufnahme.

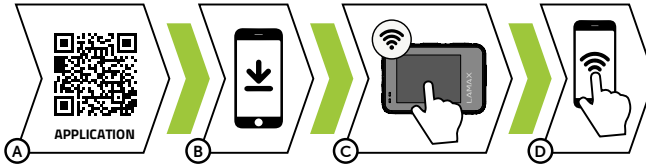


<b>Exposition</b>	Einstellung der Kompensation der Exposition. Ein höherer Wert bedeutet ein helleres Foto, ein niedriger Wert ein dunkleres Foto.
<b>Aufnahmeserien</b>	Einstellung der Aufnahmeserie in der die Kamera Aufnahmen machen wird, die als einzelne Dateien gespeichert werden.
<b>Dauer der Aufnahmeserie</b>	Einstellung der Dauer der Aufnahmeserie.
<b>Selbstausröser</b>	Einstellung des Zeitintervalls für den Selbstauslöser.
<b>Lange Exposition</b>	Einstellung der Dauer der Exposition. Bei dieser Einstellung bleibt der Verschluss der Kamera für einen längeren Zeitraum geöffnet, als normal. Für bessere Ergebnisse empfehlen wir die Verwendung eines Stativs und die Kamera nicht zu bewegen.
<b>Datum im Foto</b>	Ein/aus der Datums- und Uhrzeitanzeige in der Aufnahme.

## 7. KAMERA-EINSTELLUNGEN

<b>Netzfrequenz</b>	Ermöglicht, die Frequenz in Übereinstimmung mit der Frequenz des Verteilungsnetzes zu wählen (in Europa 50 Hz, in Amerika und Asien sind es 60 Hz).
<b>Töne</b>	Ein/aus der Systemtöne der Kamera und deren Lautstärke.
<b>Weißabgleich</b>	Einstellung des Weißabgleiches für verschieden beleuchtete Szenen.
<b>Effekt</b>	Einstellung der Farbmodi.
<b>LDC</b>	Ein/aus der Reduktion des Fischauges mit Hilfe der Verringerung des Aufnahmewinkels. Kann nicht mit der Funktion der Bildstabilisation verwendet werden.
<b>Datum und Uhrzeit</b>	Einstellung des Datums und der Uhrzeit des Systems.
<b>Bildschirmschoner</b>	Einstellung des Zeitraumes, nach dem sich das Display abschaltet um Batterie zu sparen. Durch Berühren des Displays oder Drücken der Tasten wird das Display erneut aktiviert.
<b>Automatisches Abschalten</b>	Einstellung der automatischen Abschaltung der Kamera, wenn diese nicht benutzt wird. Wenn die Funktion eingestellt ist, wird die Kamera ausgeschaltet, wenn keine Aufnahmen gemacht werden.
<b>Automatische Aufnahme nach dem Einschalten</b>	Ein/aus der automatischen Aufnahme nach dem Einschalten der Kamera.
<b>Sprache</b>	Auswahl der Sprache.
<b>Formatieren</b>	Löschen aller Daten auf der Speicherkarte.
<b>System</b>	Ermöglicht den Zugang zu den Informationen über die Firmware der Kamera, zu den Informationen der Speicherkarte und die Kamera kann auch in die Werkseinstellungen umgeschaltet werden.

## 8. WIFI – MOBILE APPLIKATION



Dank der mobilen Applikation können Sie den Modus und die Einstellungen der Kamera ändern oder gemachte Videos und Fotos direkt in Ihrem mobilen Gerät betrachten.

- (A) Scannen Sie den QR Kode um die Applikation herunterzuladen oder klicken Sie auf den folgenden Link:  
<https://www.lamax-electronics.com/w92/app/>
- (B) Installieren Sie die Applikation in Ihrem mobilen Gerät.
- (C) Schalten Sie WiFi in der Kamera durch Drücken der POWER Taste oder Berühren des „WiFi“ Symbols nach dem Anklicken des Symbols ein Video 4K30.
- (D) Verbinden Sie Ihr mobiles Gerät mit dem WiFi Netz mit dem Namen der Kamera. Das WiFi Passwort wird auf dem Kameradisplay angezeigt (werkseitig 1234567890).

## 9. WASSERDICHT

**Das Gerät ist unter folgenden Bedingungen wasserdicht:**

### **ACTION CAM:**

Kamera ohne Hülle bis zu einer Tiefe von 12 Metern wasserdicht. Vergewissern Sie sich vor dem Eintauchen, dass alle Abdeckungen an der Seite und im unteren Bereich ordentlich verschlossen sind. Die Abdeckungen und Dichtungen müssen frei von Verunreinigungen, wie Staub, Sand und Ähnlichem sein. Öffnen Sie die Abdeckungen der Kamera erst, nachdem alle Teile der Kamera trocken sind. Wenn Sie die Kamera in Salzwasser verwenden, sollten Sie diese nach dem Gebrauch mit Süßwasser abspülen. Verwenden Sie zum Abtrocknen keine Textilien oder externe Wärmequellen (Fön, Mikrowelle u.Ä.), lassen Sie die Kamera immer von alleine trocknen.

### **WASSERDICHTHE HÜLLE:**

Die Hülle ist für Wassertiefen von bis zu 40 Metern geeignet. Bevor Sie die Kamera mit der Hülle verwenden, vergewissern Sie sich, dass die rückwärtige Abdeckung der Hülle mit dem Mechanismus auf der Oberseite der Hülle verschlossen ist. Die Abdeckungen und Türchen müssen frei von Verunreinigungen, wie Staub, Sand und Ähnlichem sein. Wenn Sie die Kamera in Salzwasser verwenden, sollten Sie diese nach dem Gebrauch mit Trinkwasser abspülen. Verwenden Sie zum Abtrocknen keine Textilien oder externe Wärmequellen (Fön, Mikrowelle u.Ä.), lassen Sie die Hülle immer von alleine trocknen. Wenn die wasserdichte Hülle verwendet wird, kann das Touch Display der Kamera nicht verwendet werden und die Kamera muss mit Hilfe der Tasten bedient werden.

### **FERNBEDIENUNG:**

Die Fernbedienung ist für Wassertiefen von bis zu 2 Metern geeignet. Vergewissern Sie sich vor dem Eintauchen, dass die USB Abdeckung an der Unterseite der Fernbedienung ordentlich verschlossen ist. Öffnen Sie die Abdeckung nicht, bevor die Fernbedienung trocken ist. Verwenden Sie keine externen Wärmequellen (Fön, Mikrowelle u.Ä.) um die Fernbedienung zu trocknen, lassen Sie die Fernbedienung von alleine trocknen oder verwenden Sie feine Textilien zum Abtrocknen.

## 10. SICHERHEITSMASSNAHMEN

**Der Kunde verpflichtet sich zuerst den sicheren Gebrauch des Produktes zu aus der Bedienungsanleitung zu erlernen.**

### WARNUNGEN, INFORMATIONEN UND SICHERHEITSMASSNAHMEN

- Aus Sicherheitszwecken bedienen Sie die Kamera nicht während sie ein Fahrzeug führen.
- Wenn Sie die Kamera im Auto benutzen möchten ist eine Saugnapfhalterung nötig. Die Kamera muss an einer geeigneten Stelle angebracht werden um die Sicht des Fahrers nicht zu behindern und Sicherheitsrelevante Systeme wie Airbags nicht zu behindern oder zu stören.
- Das Objektiv der Kamera darf nicht verdeckt sein und in der Nähe sollten sich keine reflektierenden Materialien befinden. Halten Sie das Objektiv sauber.
- Wenn die Windschutzscheibe mit einer reflektierenden Schicht verfärbt ist kann die Qualität der Videoaufnahme niedriger sein.

### SICHERHEITSHINWEISE

- Ladegerät nicht in sehr feuchter Umgebung benutzen. Fassen Sie das Gerät nie an wenn Sie nasse Hände oder im Wasser stehen.
- Wenn das Gerät geladen oder mit Strom versorgt wird oder lassen Sie genügend Abstand zu anderen Gegenständen um ein ausreichende Lüftung zu gewährleisten. Decken Sie das Ladegerät nicht mit Papieren oder anderen Materialien zu um die Kühlung nicht zu behindern. Benutzen Sie das Ladegerät nicht in der Verpackung.
- Das Ladegerät immer an die richtige Netzspannung anschließen. Einspeise Spannung finden Sie auf dem Gerät oder auf der Verpackung.
- Ladegerät nicht benutzen wenn es augenscheinlich beschädigt ist. Versuchen Sie das Gerät nicht selber reparieren.
- Wenn das Gerät zu heiß werden sollte, sofort von der Stromzufuhr trennen.
- Der Packungsinhalt beinhaltet kleine Teile, die eine Gefahr für Kinder darstellen können. Bewahren Sie das Produkt stets außerhalb der Reichweite von Kindern auf. Die Verpackung und Enthaltene Kleinteile können bei Verschlucken eine Erstickungsgefahr darstellen.

### SICHERHEITSHINWEISE ZU LITHIUM-IONEN-AKKUS


- Laden Sie vor der ersten Verwendung den Akku vollständig auf.
- Verwenden Sie zum Laden nur Ladegeräte, welche für diesen Gerätetyp bestimmt sind.
- Verwenden Sie nur zugelassene Ladekabel, ansonsten riskieren Sie eine Beschädigung des Geräts.
- Laden Sie das Gerät niemals, wenn es beschädigt ist, oder der Akku angeschwollen ist. Verwenden Sie niemals beschädigte Akkus, da sonst Explosionsgefahr besteht.
- Verwenden Sie niemals beschädigte Ladegeräte, oder Ladeadapter.
- Laden Sie das Gerät bei Raumtemperatur, niemals bei unter 0°C, oder bei über 40°C.
- Lassen Sie den Akku niemals fallen, versuchen Sie niemals den Akku zu öffnen oder zu verändern. Versuchen Sie niemals einen beschädigten Akku zu reparieren.
- Bringen Sie den Akku niemals in Kontakt mit Feuchtigkeit, Wasser, Regen, Schnee, oder jeglicher Form von Flüssigkeit.
- Lassen Sie den Akku niemals unbeaufsichtigt im Auto, oder setzen ihn direkter Sonneneinstrahlung bzw. übermäßiger Hitze aus. Bei übermäßiger Sonneneinstrahlung oder Hitzeeinwirkung kann es zu Beschädigungen kommen und es besteht Explosionsgefahr.
- Lassen Sie den Akku während des Ladevorgangs niemals unbeaufsichtigt, schließen Sie den Akku niemals kurz oder überladen ihn. Akkus die unsachgemäß geladen werden, oder während des Ladevorgangs Stößen ausgesetzt sind, können auslaufen und gefährliche Chemikalien freisetzen die zu Verätzungen oder sogar Feuer führen können.
- Trennen Sie bei Auftreten von übermäßiger Hitze den Akku umgehend vom Ladegerät und verwenden Sie diesen nicht mehr.

- Verwenden Sie das Ladegerät und den ladenden Akku niemals in der Nähe von brennbaren Objekten wie z.B. Vorhängen, Tischdecken, etc.
- Nachdem der Akku vollständig aufgeladen ist, trennen Sie diesen aus Sicherheitsgründen vom Ladegerät.
- Bewahren Sie den Akku stets außerhalb der Reichweite von Kindern oder Tieren auf.
- Nehmen Sie das Ladegerät oder den Akku niemals auseinander. Falls der Akku im Gerät integriert ist, versuchen Sie niemals den Akku aus dem Gerät zu entfernen oder auszubauen. Zusätzlich zu den oben beschriebenen Gefahren verfällt hierdurch auch die Garantie Ihres Geräts.
- Entsorgen Sie Akkus niemals im normalen Hausmüll oder werfen ihn in ein Feuer. Entsorgen Sie Akkus stets bei den dafür vorgesehenen Sammelstellen für Gefahrgut.

## GERÄTEPFLEGE

- Eine gute Gerätepflege sichert Ihnen einen einwandfreien Betrieb, Langlebigkeit und mindert das Risiko von Beschädigungen.
- Halten Sie das Gerät fern von extremer Feuchtigkeit und Temperaturen, setzen Sie das Gerät langfristig nicht ultravioletter und Sonneneinstrahlung aus.
- Vermeiden Sie starke Schläge und Fall des Gerätes.
- Setzen Sie das Gerät keinen extremen Temperaturschwankungen aus. Dies könnte zu Kondenswasserbildung im inneren des Geräts führen und das Gerät beschädigen. Bei Kondenswasserbildung lassen Sie das Gerät vor weiterer Inbetriebnahme mehrere Tage gründlich trocknen.
- Die Displayoberfläche kann leicht verkratzen. Nicht mit scharfen Gegenständen berühren.
- Gerät nicht putzen wenn eingeschaltet. Um das Display und die Kamera zu reinigen benutzen Sie ein Fusselfreies feines Tuch. Display nicht mit Papiertaschentüchern reinigen.
- Versuchen Sie nie die Kamera auseinander zu nehmen, selber zu reparieren oder sonst wie zu verändern. In allen Fällen von Demontage oder anderen Änderungen des Geräts verfällt die Garantie und es kann zu Verletzungen oder sogar Schäden an Eigentum kommen.
- Lagern und transportieren Sie das Gerät oder seine Teile nicht in der Nähe von brennbaren Materialien, Flüssigkeiten, Gasen oder Sprengmaterial.
- Um Diebstahl vorzubeugen lassen Sie das Gerät oder Zubehör sichtbar im Auto ohne Aufsicht.
- Überhitzung kann das Gerät beschädigen.
- Laden Sie das Gerät nur unter Aufsicht.
- Wenn die Autokamera mit stark chlorhaltigem oder mit Salzwasser in Berührung kommt, spülen Sie sie mit Trinkwasser ab und trocknen Sie sie ab.
- Verwenden Sie keine externen Wärmequellen zum Austrocknen der Autokamera, wie beispielsweise eine Mikrowelle oder einen Fön.
- Kontrollieren Sie vor dem Schwimmen oder dem Tauchen immer, dass die Batteriefach oder die Ladeport-Abdeckung nicht geöffnet sind. Falls doch, schließen Sie sie. Sonst wird die Autokamera nicht wasserdicht sein.
- Reinigen Sie den Touch-Screen nur mit einem Tuch, das dafür bestimmt ist und verhindern Sie damit das Zerkratzen.

## WEITERE ANGABEN

1) Für Haushalte: Das angeführte Symbol  auf dem Gerät oder in der begleitenden Dokumentation bedeutet, dass die gebrauchten elektrischen oder elektronischen Produkte nicht zusammen mit dem Restmüll entsorgt werden dürfen. Damit sie ordnungsgemäß entsorgt werden können, geben Sie sie bitte an der dafür bestimmten Sammelstellen ab, wo sie kostenlos angenommen werden. Durch die richtige Entsorgung dieses Produkts helfen Sie, die wertvollen natürlichen Rohstoffe zu erhalten und dem potentiellen negativen Einfluss auf die Umwelt und die menschliche Gesundheit, die die negativen Folgen einer falschen Entsorgung darstellen, vorzubeugen. Erfragen Sie weitere Details bei der lokalen Behörde oder bei der nächsten Sammelstelle. Bei einer falschen Entsorgung dieser Produktenart können Ihnen gemäß den lokalen Vorschriften Geldbußen auferlegt werden. Informationen für die Entsorgung der elektrischen oder elektronischen Geräten (Nutzung seitens Firmen und Unternehmen): Erfragen Sie detaillierte Informationen über die Entsorgung der elektrischen und elektronischen Geräte bei Ihrem Händler oder Lieferanten. Informationen über die Entsorgung der elektrischen

chen und elektronischen Geräte für die Benutzer aus anderen Ländern außerhalb der Europäischen Union: Das oben angeführte Symbol (durchgestrichene Mülltonne) ist nur in den Ländern der Europäischen Union gültig. Für eine ordnungsgemäße Entsorgung der elektrischen und elektronischen Geräte erfragen Sie detaillierte Informationen bei Ihren Behörden oder Händlern. Das Symbol der durchgestrichenen Mülltonne steht für alle oben aufgeführten Vorschriften.

2) Machen Sie die Garantiereparaturen des Geräts bei Ihrem Händler geltend. Bei technischen Problemen und Fragen setzen Sie sich mit Ihrem Händler in Verbindung, der Sie über das weitere Vorgehen informieren wird. Halten Sie sich an die Regeln des Umgangs mit Gerät. Der Benutzer ist nicht berechtigt, die Geräte auseinanderzunehmen und oder irgendeinen Teil von ihnen auszuwechseln. Beim Auseinandernehmen oder Abnehmen des Gehäuses droht das Risiko einer Verletzung durch einen Stromschlag. Bei einer nicht korrekten Zusammensetzung des Geräts und dessen nachfolgenden Anschluss an die Stromversorgung setzen Sie sich auch dem Risiko einer Stromverletzung aus.

Die Garantie für die Produkte beträgt 24 Monate, wenn nicht anders festgelegt. Die Garantie bezieht sich nicht auf Beschädigungen, die durch eine nicht dem Standard entsprechende Nutzung, mechanische Schäden, aggressive Bedingungen, eine Verwendung im Widerspruch zur Bedienungsanleitung und den normalen Gebrauch werden. Die Garantie auf die Batterie beträgt 24 Monate, für die Kapazität 6 Monate.

Der Hersteller, Importeur und auch der Vertreter haften nicht für Schäden, die durch eine Montage oder falsche Verwendung des Produktes verursacht werden.

#### **KONFORMITÄTSERKLÄRUNG:**

Hiermit erklärt die elem6 s.r.o., dass alle Produkte der LAMAX konform sind mit den Richtlinien und relevanten Provisionen der Direktive 2014/30/EU und 2014/53/EU. Die Produkte sind für den uneingeschränkten Verkauf in Deutschland, Tschechien, Slowakei, Polen, Ungarn, und anderen EU Ländern bestimmt. Insofern nicht anders deklariert, sind die Produkte mit einer zweijährigen Herstellergarantie versehen. Sie können die vollständige Konformitätserklärung unter der folgenden Webseite einsehen: [www.lamax-electronics.com/support/doc](http://www.lamax-electronics.com/support/doc).

- Frequenzbereich in denen das Radiogerät operiert: 2412 MHz~2462 MHz
- Maximale Radiofrequenzstärke, die über den/die Frequenzbereich des Geräts abgestrahlt wird: 12.51 dBm

#### **HERSTELLER:**

elem6 s.r.o., Braškovská 308/158, 161 00 Praha 6  
<https://www.lamax-electronics.com>



**Druckfehler und Änderungen in der Betriebsanleitung sind vorbehalten.**

# LAMAX

ELECTRONICS

---

## LAMAX W9.2

ACTION CAMERA



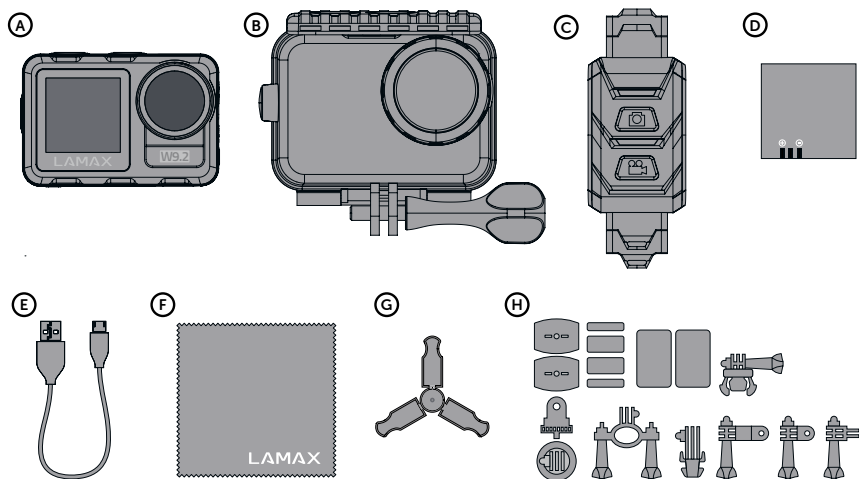
---

CS – Uživatelská příručka

## OBSAH

1. OBSAH BALENÍ.....	2
2. SEZNÁMENÍ S KAMEROU.....	3
3. OVLÁDÁNÍ KAMERY.....	4
4. PRVNÍ ZAPNUTÍ.....	4
5. NASTAVENÍ V REŽIMU VIDEO.....	5
6. NASTAVENÍ V REŽIMU FOTOGRAFIE.....	5
7. NASTAVENÍ KAMERY.....	6
8. WIFI – MOBILNÍ APLIKACE.....	7
9. VODOTĚSNOST.....	7
10. BEZPEČNOSTNÍ OPATŘENÍ.....	8

## 1. OBSAH BALENÍ



**A** Akční kamera LAMAX W9.2

**B** Vodotěsný obal do 40 m

**C** Dálkové ovládání vodotěsné do 2 m

**D** Li-ion baterie

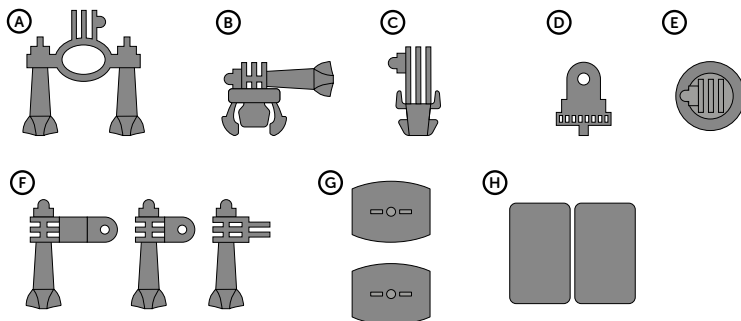
**E** USB-C kabel pro nabíjení/přenos souborů

**F** Utěrka z mikrovlákna

**G** Mini stativ

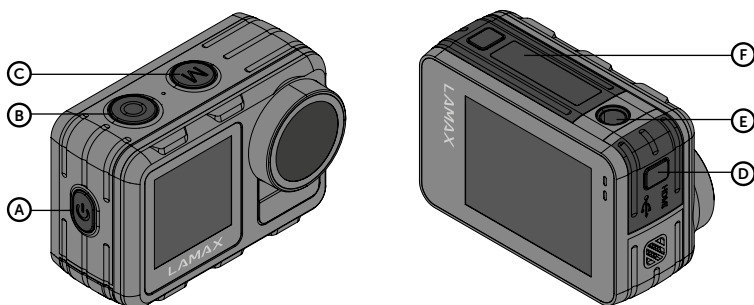
**H** Úchyty

## ÚCHYTY



- A Držák na tyč – pro upevnění například na říditka
- B Fast plug-in – pro rychle navaknutí držáku
- C J mount – pro rychle navaknutí s vyvýšením
- D Redukce na stativ – pro připojení kamery bez pouzdra na příslušenství
- E Adaptér na stativ – pro připojení kamery v pouzdru na stativ
- F 3-axis connector (3 části) – pro upevnění libovolným směrem
- G Samolepící držák (2x) – pro uchycení na hladký povrch (helma, kapota)
- H Náhradní 3M podložky (2x) – pro opětovné nalepení samolepícího držáku

## 2. SEZNÁMENÍ S KAMEROU







- A Tlačítko POWER
- B Tlačítko REC
- C Tlačítko MODE
- D Dvířka ke konektorům USB-C a micro HDMI
- E Dvířka k baterii a slotu na micro SD kartu
- F Závít pro upevnění kamery na stativ nebo selfie tyč

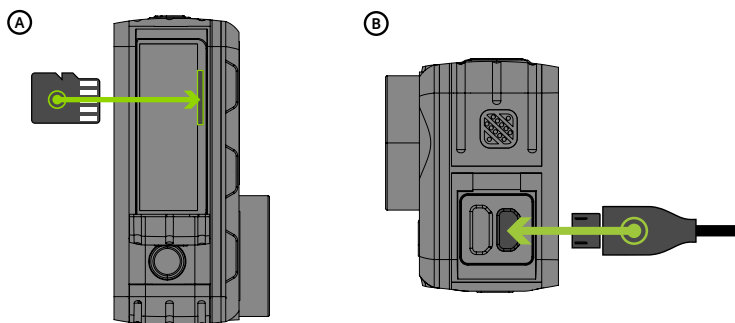
**Poznámka:** Používejte pouze doporučené příslušenství, v opačném případě může dojít k poškození kamery.



### 3. OVLÁDÁNÍ KAMERY

<b>Zapnutí a vypnutí</b>	Podržení tlačítka POWER nebo potažením palce směrem dolů a následně stlačení ikony POWER
<b>Spuštění / ukončení záznamu a zhotovení fotografie</b>	Stisknutím tlačítka REC
<b>Rychlá změna režimu foto/video</b>	Potažením palce do strany nebo tlačítkem MODE
<b>Zvolení režimu</b>	Dotykem na ikonu  nebo potažením palce směrem nahoru kde následně zvolíte požadovaný režim
<b>Nastavení</b>	Dotykem na ikonu 
<b>Prohlížení souborů</b>	Dotykem na ikonu 
<b>Přepínání mezi displeji</b>	Podržení tlačítka MODE
<b>Zapnutí/vypnutí WiFi</b>	Stlačením tlačítka POWER nebo dotykem na na ikonu „WiFi“ kterou najdete po kliknutí na ikonu 

### 4. PRVNÍ ZAPNUTÍ



#### Ⓐ VLOŽTE MICROSD KARTU DO KAMERY PODLE OBRÁZKU (KONEKTORY SMĚREM K OBJEKTIVU)

- Kartou vkládejte jen, když je kamera vypnutá a není připojená k počítači.
- Kartou při prvním použití zformátujte přímo v kameře.
- Doporučujeme paměťové karty s vyšší zapisovací rychlostí (UHS Speed Class –U3 a vyšší) a maximální kapacitou 128 GB.

**Poznámka:** Používejte jen Micro SDHC či SDXC karty od renomovaných výrobců. Karty neznackových výrobců nezaručují správné fungování datového úložiště.

#### Ⓑ PŘIPOJTE KAMERU K NAPÁJENÍ

- Kameru můžete nabíjet jak připojením k počítači, tak pomocí dokoupitelného síťového adaptéru.
- Nabití baterie z 0 na 100 % trvá přibližně 4,5 hod. Po nabití zhasne indikátor nabíjení.

**Poznámka:** Nabití baterie z 0 na 80 % trvá 2,5 hod.

## 5. NASTAVENÍ V REŽIMU VIDEO

<b>Rozlišení videa</b>	Nastavení rozlišení a FPS (snímků za vteřinu) ve kterém kamera bude nahrávat.
<b>Video kvalita</b>	Nastavení požadované kvality videa.
<b>Nahrávání zvuku</b>	Nastavení, zda má kamera nahrávat zvuk.
<b>Expozice</b>	Nastavení kompenzace expozice. Vyšší hodnota znamená světlejší video, nižší hodnota tmavší video.
<b>Stabilizace</b>	Zapnutí/vypnutí MaxSmooth stabilizace, která je dostupná ve všech rozlišeních při maximálně 60 fps. Při zapnuté stabilizaci je úhel záběru (FOV) menší a také může při horších světelných podmínkách negativně ovlivnit kvalitu videa. Nelze kombinovat s funkcí korekce rybiho oka.
<b>Cyklické nahrávání</b>	Pokud je zapnuto, video se rozdělí do časových segmentů dle výběru nastavení.
<b>Interval časoběru</b>	Nastavení časového intervalu ve kterém bude kamera pořizovat snímky, které následně uloží do jednoho video souboru.
<b>Trvání časoběru</b>	Zde lze nastavit trvání časoběrného videa. Po uplynutí nastaveného času se nahrávání ukončí.
<b>Zpomalené video</b>	Zpomalená videa lze nahrávat při rozlišeních se snímkovou frekvencí 60 fps a 120 fps. Pro lepší výsledky je vhodné využít stativ.
<b>Zrychlené video</b>	Zvolení hodnoty pro nahrávání zrychleného videa.
<b>Redukce šumu větru</b>	Funkce zlepší nahrávaný zvuk při silném větru.
<b>Metering</b>	Nastavení způsobu měření expozice. Na výběr je ze tří režimů „Střed“, „Průměr“ a „Jeden bod“. <ul style="list-style-type: none"><li>➤ <b>Střed</b> – Toto nastavení je vhodné pro natáčení objektů, které se budou převážně nacházet uprostřed záběru.</li><li>➤ <b>Průměr</b> – V tomto nastavení kamera získá informace o světle z celé scény a nastaví průměrné hodnoty.</li><li>➤ <b>Jeden bod</b> – Toto nastavení umožní změřit malou část scény, výchozí nastavení je střed. Uživatel pomocí dotykové obrazovky může zvolit jiný bod, ze kterého kamera určí expozici.</li></ul>
<b>Datum ve videu</b>	Zapíná/vypíná vložení data a času do nahrávaného videa.

## 6. NASTAVENÍ V REŽIMU FOTOGRAFIE

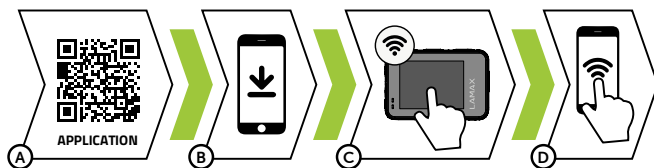
<b>Rozlišení foto</b>	Nastavení rozlišení pořizovaných fotografií.
<b>ISO</b>	Nastavení hodnoty ISO. Nastavená hodnota ISO určí citlivost na světlo. Čím vyšší hodnota, tím světlejší snímek.
<b>Expozice</b>	Nastavení kompenzace expozice. Vyšší hodnota znamená světlejší fotografii, nižší hodnota tmavší fotografii.
<b>Interval časoběru</b>	Nastavení časového intervalu ve kterém bude kamera pořizovat snímky, které uloží jako jednotlivé soubory.

<b>Trvání časoběru</b>	Nastaví délku pořizování časoběrných fotografií.
<b>Samospoušť</b>	Nastavení časového intervalu pro samospoušť.
<b>Dlouhá expozice</b>	Nastavení doby expozice. V tomto nastavení kamera nechá závěrku otevřenou na delší dobu, než normálně. Pro nejlepší výsledky doporučujeme použít stativ a nehýbat s kamerou.
<b>Datum na fotce</b>	Zapíná/vypíná vložení data a času do pořízené fotografie.


## 7. NASTAVENÍ KAMERY

<b>Frekvence sítě</b>	Umožňuje vybrat frekvenci v souladu s frekvencí rozvodné sítě (na Evropském kontinentu je vedený v síti proud s frekvencí 50 Hz, v Americe a části Asie je to potom 60 Hz).
<b>Zvuky</b>	Zapnutí/vypnutí systémových zvuků kamery a jejich hlasitost.
<b>Vyvážení bílé</b>	Nastavení vyvážení bílé barvy pro různé způsoby osvětlení scény.
<b>Efekt</b>	Nastavení barevných módů.
<b>LDC</b>	Zapíná/vypíná redukci rybiho oka za pomoci zmenšení úhlu záběru. Nelze kombinovat s funkcí se stabilizací obrazu.
<b>Datum a čas</b>	Nastavení systémového data a času.
<b>Spořič obrazovky</b>	Nastavuje čas, po kterém se automaticky vypne displej, aby šetřil baterii. Dotykem na displej nebo stisknutím tlačítek displej znovu aktivujete.
<b>Automatické vypnutí</b>	Nastavení automatického vypnutí kamery v době nečinnosti. Zapnutá funkce vypne kameru v případě, že nenahrává video.
<b>Auto nahrávání po zapnutí</b>	Zapíná/vypíná automatického nahrávání při zapnutí kamery.
<b>Jazyk</b>	Výběr jazyka.
<b>Formátovat</b>	Vymazání veškerých dat na paměťové kartě.
<b>Systém</b>	Umožňuje přístup k informacím o firmwaru kamery, k informacím o paměťové kartě a také lze uvést kameru do Továrního nastavení.

## 8. WIFI – MOBILNÍ APLIKACE



Díky mobilní aplikaci budete moci měnit režimy a nastavení kamery nebo prohlížet a stahovat natočená videa a fotografie přímo do vašeho mobilního zařízení.

- A** Načtěte QR kód pro stažení aplikace nebo klikněte na následující odkaz:  
<https://www.lamax-electronics.com/w92/app/>
- B** Nainstalujte aplikaci do vašeho mobilního zařízení.
- C** Zapněte WiFi v kameře stlačením tlačítka POWER nebo dotykem na ikonku „WiFi“ kterou najdete po kliknutí na ikonku .
- D** Na vašem mobilním zařízení se připojte na WiFi síť s názvem kamery. Heslo na WiFi je zobrazené na displeji kamery (z výroby 1234567890).

## 9. VODOTĚSNOST

**Odolnost proti ponoření do vody je splněna za těchto podmínek:**

### AKČNÍ KAMERA:

Kamera bez pouzdra odolá ponoření do hloubky 12 metrů. Před ponořením se ujistěte, že máte správně zavřené kryty na boční a spodní straně kamery. Kryty a těsnění musí být zbaveny veškerých nečistot, jako je prach, písek a podobně. Kryty kamery neotvírejte před vyschnutím těla kamery. V případě použití ve slané vodě opláchněte kameru pitnou vodou. K osušení nepoužívejte žádné textilní látky či externí zdroje tepla (fén, mikrovlnná trouba apod.), kameru vždy nechejte pozvolna vyschnout.

### VODOTĚSNÉ POUZDRO:

Pouzdro odolá ponoření do hloubky 40 metrů. Před použitím kamery v pouzdru se ujistěte o správném uzavření zadních dvířek pouzdra pomocí mechanismu na horní straně pouzdra. Dvířka a těsnění pouzdra musí být zbaveno veškerých nečistot, jako je prach, písek a podobně. Při použití ve slané vodě opláchněte pouzdro pitnou vodou. K osušení nepoužívejte žádné textilní látky či externí zdroje tepla (fén, mikrovlnná trouba apod.), pouzdro vždy nechejte pozvolna vyschnout. V případě použití vodotěsného pouzdra nelze využít dotykovou plochu displeje kamery a kameru je nutné ovládat pomocí tlačítek.

### DÁLKOVÉ OVLÁDÁNÍ:

Dálkové ovládání odolá ponoření do hloubky 2 metrů. Před ponořením se ujistěte, že je správně uzavřený kryt USB na spodní straně ovládání. Kryt neotvírejte před vyschnutím těla dálkového ovládání. K osušení nepoužívejte externí zdroje tepla (fén, mikrovlnná trouba apod.), dálkové ovládání nechejte pozvolna vyschnout nebo pro usušení použijte jemnou textilní látku.

## 10. BEZPEČNOSTNÍ OPATŘENÍ

**Před prvním použitím je spotřebitel povinen se seznámit se zásadami bezpečného používání výrobku.**

### ZÁSADY A UPOZORNĚNÍ

- Pro zajištění vlastní bezpečnosti nepoužívejte ovládací prvky tohoto přístroje při řízení.
- Při používání rekordéru v autě je nezbytný okenní držák. Rekordér umístěte na vhodné místo tak, aby nebránil ve výhledu řidiče ani v aktivaci bezpečnostních prvků (např. airbagů).
- Objektiv kamery nesmí být ničím blokován a v blízkosti objektivu se nesmí nacházet žádný reflexní materiál. Uchovávejte objektiv čistý.
- Pokud je čelní sklo automobilu zbarveno reflexní vrstvou, může to omezovat kvalitu záznamu.

### BEZPEČNOSTNÍ ZÁSADY

- Nepoužívejte nabíječku ve vysoce vlhkém prostředí. Nikdy se nabíječky nedotýkejte mokřýma rukama nebo stojíte-li ve vodě.
- Při napájení přístroje nebo nabíjení baterie ponechte kolem nabíječky dostatečný prostor pro cirkulaci vzduchu. Nepřikrývejte nabíječku papíry ani jinými předměty, které by mohly zhoršit její chlazení. Nepoužívejte nabíječku uloženou v transportním obalu.
- Nabíječku připojujte ke správnému zdroji napětí. Údaje o napětí jsou uvedeny na plášti výrobku nebo na jeho obalu.
- Nepoužívejte nabíječku, je-li zjevně poškozena. V případě poškození zařízení sami neopravujte!
- V případě nadměrného zahřívání přístroj okamžitě odpojte od přívodu energie.
- Nabíjejte zařízení pod dohledem.
- Balení obsahuje malé dílky, které mohou být nebezpečné pro děti. Produkt vždy ukládejte mimo dosah dětí. Sáčky nebo mnoho dílků, které obsahují, mohou po spolknutí nebo po nasazení na hlavu způsobit udušení.

### BEZPEČNOSTNÍ UPOZORNĚNÍ PRO LI-ION BATERIE


- Před prvním použitím baterii plně nabijte.
- Pro nabíjení používejte jen nabíječku, která je pro tento typ baterie určena.
- Používejte standardní kabely pro nabíjení, jinak by mohlo dojít k poškození zařízení.
- V žádném případě nepřipojujte k nabíječce mechanicky poškozené nebo nafouklé baterie. Baterie v takovém stavu již vůbec nepoužívejte, hrozí nebezpečí výbuchu.
- Nepoužívejte jakkoliv poškozený síťový adaptér nebo nabíječku.
- Nabíjení provádějte za pokojové teploty, nikdy nenabíjejte při teplotě nižší než 0 °C nebo při teplotě vyšší než 40 °C.
- Dejte pozor na pády, baterii neprorážejte ani jinak nepoškozujte. Poškozenou baterii rozhodně neopravujte.
- Nevystavujte nabíječku ani baterii působení vlhkosti, vody, dešti, sněhu nebo různým nástřikům.
- Baterii nenechávejte ve vozidle, nevystavujte slunečnímu záření a nedávejte poblíž zdrojů tepla. Silné světlo či vysoké teploty mohou baterii poškodit.
- Během nabíjení neopnechávejte akumulátory nikdy bez dohledu, zkrat nebo náhodné přehřetí (akumulátoru nevhodného pro rychlonabíjení nebo nabíjeného nadměrným proudem či při poruše nabíječky) může způsobit únik agresivních chemikálií, explozi nebo následný požár! V případě, že při nabíjení baterie dochází k jejímu nadměrnému ohřívání, tak baterii okamžitě odpojte.
- Nabíječku a nabíjený akumulátor neumísťujte při nabíjení na nebo do blízkosti hořlavých předmětů. Pozor na záclony, koberce, ubrusy atd.
- Jakmile je dobíjené zařízení plně dobíto, odpojte jej z důvodu bezpečnosti.
- Udržujte baterii mimo dosah dětí i zvířat.
- Nabíječku ani baterii nikdy nerozebírejte.
- Pokud je baterie integrovaná, nikdy nerozebírejte zařízení, pokud není stanoveno jinak. Jakýkoliv takový pokus je riskantní a může mít za následek poškození produktu a následnou ztrátu záruky.

- Nevyhazujte opotřebované nebo poškozené baterie do odpadkového koše, ohně či do topných zařízení, ale odevzdejte je ve sběrnách nebezpečného odpadu.

## ÚDRŽBA PŘÍSTROJE

- Dobrá údržba tohoto přístroje zajistí bezproblémový provoz a omezí nebezpečí poškození.
- Uchovávejte přístroj mimo extrémní vlhkost a teploty a nevystavujte přístroj dlouhodobě přímému slunečnímu nebo ultrafialovému záření.
- Zabraňte pádu přístroje ani jej nevystavujte silným nárazům.
- Nevystavujte přístroj náhlým a prudkým změnám teplot. Mohlo by to způsobit kondenzování vlhkosti uvnitř zařízení, což by mohlo přístroj poškodit. V případě, kdy dojde ke kondenzaci vlhkosti, před dalším používáním nechte přístroj dokonale vyschnout.
- Povrch displeje se může snadno poškrábat. Nedotýkejte se jej ostrými předměty.
- Zásadně nečistěte přístroj, když je zapnutý. K čištění displeje a vnějšího povrchu přístroje použijte měkký netřepivý hadřík. Nečistěte displej papírovými utěrkami.
- Zásadně se nepokoušejte přístroj rozebrat, opravovat nebo jakkoli upravovat. V případě demontáže, úprav nebo jakéhokoli pokusu o opravu dochází k propadnutí záruky a může dojít k poškození přístroje či dokonce ke zranění nebo škodám na majetku.
- Neskladujte ani nepřevázejte hořlavé kapaliny, plyny nebo výbušné materiály pohromadě s přístrojem, jeho částmi nebo doplňky.
- Aby se zabránilo krádeži, nenechávejte přístroj a příslušenství na viditelném místě ve vozidle bez dozoru.
- Přehřátí může přístroj poškodit.
- Při styku se silně chlorovanou nebo mořskou vodou kameru opláchněte v pitné vodě a osušte jí.
- Na vysušení kamery nepoužívejte externí zdroj tepla jako například mikrovlnou troubu nebo sušák na vlasy.
- Před plaváním nebo potápěním vždy zkontrolujte, jestli nejsou pootevřena dvířka baterie nebo dvířka k napájecím portům. Pokud ano, zavřete je. Jinak kamera nebude vykazovat vodotěsnost.
- Dotykový displej utírejte jen utěrkou, která je k tomu určena a vyhněte se tak jeho poškrábání.

## DALŠÍ INFORMACE

1) Pro domácnosti: Uvedený symbol  na výrobku nebo v průvodní dokumentaci znamená, že použité elektrické nebo elektronické výrobky nesmí být likvidovány společně s komunálním odpadem. Za účelem správné likvidace výrobku jej odevzdejte na určených sběrných místech, kde budou přijata zdarma. Správnou likvidací tohoto produktu pomůžete zachovat cenné přírodní zdroje a napomáháte prevenci potenciálních negativních dopadů na životní prostředí a lidské zdraví, což by mohly být důsledky nesprávné likvidace odpadů. Další podrobnosti si vyžádejte od místního úřadu nebo nejbližšího sběrného místa. Při nesprávné likvidaci tohoto druhu odpadu mohou být v souladu s národními předpisy uděleny pokuty. Informace pro uživatele k likvidaci elektrických a elektronických zařízení (firemní a podnikové použití): Pro správnou likvidaci elektrických a elektronických zařízení si vyžádejte podrobné informace u Vašeho prodejce nebo dodavatele. Informace pro uživatele k likvidaci elektrických a elektronických zařízení v ostatních zemích mimo Evropskou unii: Výše uvedený symbol (přeškrtnutý koš) je platný pouze v zemích Evropské unie. Pro správnou likvidaci elektrických a elektronických zařízení si vyžádejte podrobné informace u Vašich úřadů nebo prodejce zařízení. Vše vyjadřuje symbol přeškrtnutého kontejneru na výrobku, obalu nebo tištěných materiálech.

2) Záruční opravy zařízení uplatňujte u svého prodejce. V případě technických problémů a dotazů kontaktujte svého prodejce, který Vás bude informovat o dalším postupu. Dodržujte pravidla pro práci s elektrickými zařízeními. Uživatel není oprávněn rozebrat zařízení ani vyměňovat žádnou jeho součást. Při otevření nebo odstranění krytů hrozí riziko úraza elektrickým proudem. Při nesprávném sestavení zařízení a jeho opětovném zapojení se rovněž vystavujete riziku úraza elektrickým proudem.

Záruční lhůta je na produkty 24 měsíců, pokud není stanovena jinak. Záruka se nevztahuje na poškození způsobené nestandardním používáním, mechanickým poškozením, vystavením agresivním podmínkám, zacházením v rozporu s manuálem a běžným opotřebením. Záruční doba na baterii je 24 měsíců, na její kapacitu 6 měsíců. Výrobce, dovozce ani distributor nenesou žádnou odpovědnost za jakékoli škody způsobené montáží nebo nesprávným užíváním produktu.

## PROHLÁŠENÍ O SHODĚ:

Společnost elem6 s.r.o. tímto prohlašuje, že všechna zařízení LAMAX jsou ve shodě se základními požadavky a dalšími příslušnými ustanoveními směrnice 2014/30/EU a 2014/53/EU. Produkty jsou určeny pro prodej bez omezení v Německu, České republice, Slovensku, Polsku, Maďarsku a v dalších členských zemích EU. Záruční lhůta je na produkty 24 měsíců, pokud není stanovena jinak. Prohlášení o shodě lze stáhnout z webu [www.lamax-electronics.com/support/doc](http://www.lamax-electronics.com/support/doc).

- Kmitočtové pásmo, v němž rádiové zařízení pracuje: 2412 MHz–2462 MHz
- Maximální radiofrekvenční výkon vysílaný v kmitočtovém pásmu, v němž je rádiové zařízení provozováno: 12.51 dBm

## VÝROBCE:

elem6 s.r.o., Braškovská 308/158, 161 00 Praha 6  
<https://www.lamax-electronics.com>



**Tiskové chyby a změny v manuálu jsou vyhrazeny.**

# LAMAX

ELECTRONICS

---

## LAMAX W9.2

ACTION CAMERA



---

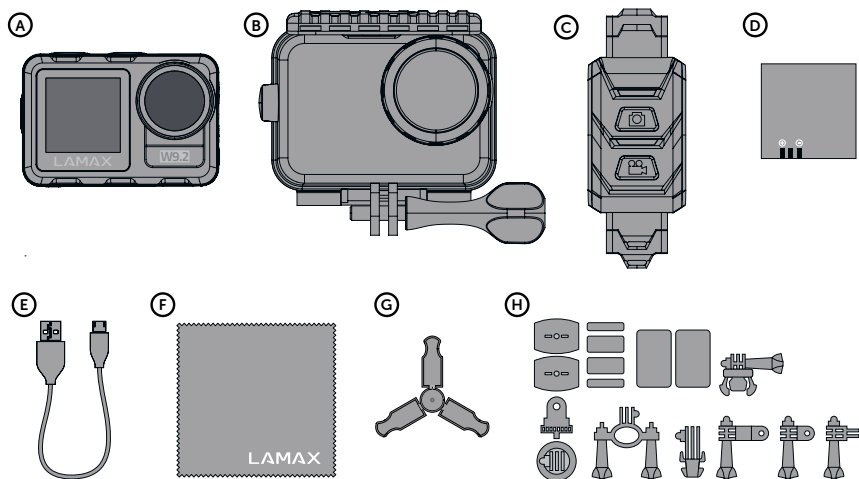
SK – Používateľská príručka



## OBSAH

1. OBSAH BALENIA .....	2
2. ZOZNÁMENIE SA S KAMEROU .....	3
3. OVLÁDANIE KAMERY .....	4
4. PRVÉ ZAPNUTIE .....	4
5. NASTAVENIE V REŽIME VIDEO .....	5
6. NASTAVENIE V REŽIME FOTOGRAFIE .....	5
7. NASTAVENIA KAMERY .....	6
8. WIFI – MOBILNÁ APLIKÁCIA .....	7
9. VODOTESNOSŤ .....	7
10. BEZPEČNOSTNÉ OPATRENIA .....	8

## 1. OBSAH BALENIA



**A** Akčná kamera LAMAX W9.2

**B** Vodotesný obal do 40 m

**C** Diaľkové ovládanie, vodotesné do 2 m

**D** Li-ion batéria

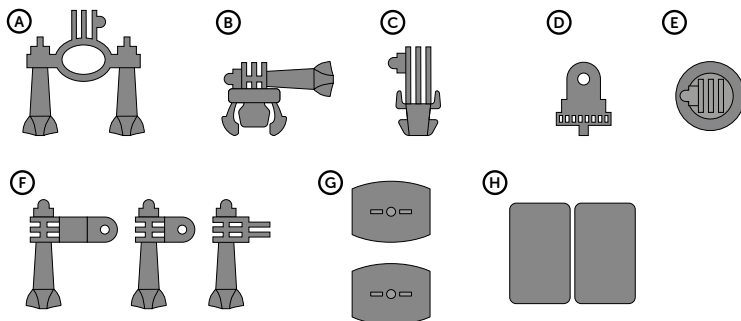
**E** USB-C kábel pre nabíjanie/prenos súborov

**F** Handrička z mikrovláčna

**G** Mini statív

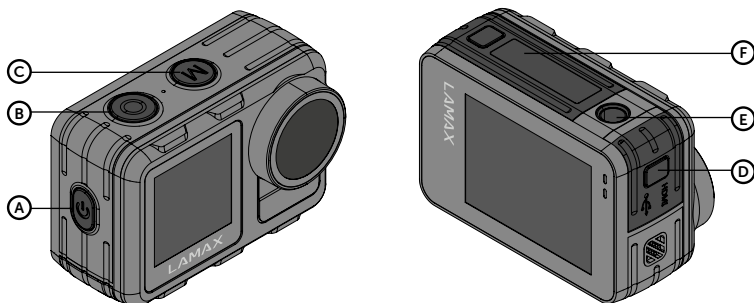
**H** Úchyty

## ÚCHYTY



- (A) Držiak na tyč – pre upevnenie napríklad na riadidlá
- (B) Fast plug-in – pre rýchle zacvaknutie držiaku
- (C) J mount – pre rýchle zacvaknutie s vyvýšením
- (D) Redukcia na statív – pre pripojenie kamery bez puzdra na príslušenstvo
- (E) Adaptér na statív – pre pripojenie kamery v puzdre na statív
- (F) 3-axis connector (3 časti) – pre upevnenie ľubovoľným smerom
- (G) Samolepiaci držiak (2x) – pre uchytienie na hladký povrch (helma, kapota)
- (H) Náhradní 3M podložky (2x) – pre opätovné nalepenie samolepiaceho držiaku





## 2. ZOZNÁMENIE SA S KAMEROU



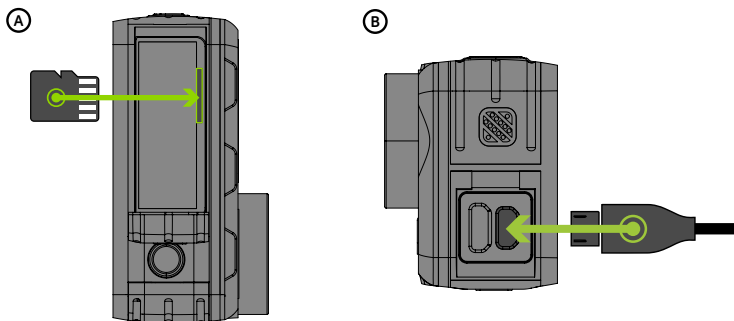
- (A) Tlačidlo POWER
- (B) Tlačidlo REC
- (C) Tlačidlo MODE
- (D) Dvierka ku konektorom USB-C a micro HDMI
- (E) Dvierka k batérii a slotu na micro SD kartu
- (F) Závit pre upevnenie kamery na statív alebo selfie tyč

**Poznámka:** Používajte len doporučené príslušenstvo, v opačnom prípade môže dôjsť k poškodeniu kamery.

### 3. OVLÁDANIE KAMERY

<b>Zapnutie a vypnutie</b>	Podržaním tlačidla POWER alebo potiahnutím palca smerom dole a následné stlačenie ikony POWER
<b>Spustenie / ukončenie záznamu a zhotovenie fotografie</b>	Stlačením tlačidla REC
<b>Rýchla zmena režimu foto/video</b>	Potiahnutím palca do strany alebo tlačidlom MODE
<b>Zvolenie režimu</b>	Dotykom na ikonku  alebo potiahnutím palca smerom nahor, kde následne zvolíte požadovaný režim
<b>Nastavenia</b>	Dotykom na ikonku 
<b>Prehliadanie súborov</b>	Dotykom na ikonku 
<b>Prepínanie medzi displejmi</b>	Podržanie tlačidla MODE
<b>Zapnutie/vypnutie WiFi</b>	Stlačením tlačidla POWER alebo dotykom na ikonku „WiFi“ ktorú nájdete po kliknutí na ikonku 

### 4. PRVÉ ZAPNUTIE



#### Ⓐ VLOŽTE MICROSD KARTU DO KAMERY PODĽA OBRÁZKU (KONEKTORY SMEROM K OBJEKTÍVU)

- Kartú vkladajte len, keď je kamera vypnutá a nie je pripojená k počítaču.
- Kartú pri prvom použití sformátujte priamo v kamere.
- Odporúčame pamäťové karty s vyššou zapisovacou rýchlosťou (UHS Speed Class –U3 a vyššie) a maximálnou kapacitou 128 GB.

**Poznámka:** Používajte len Micro SDHC či SDXC karty od renomovaných výrobcov. Karty neznámych výrobcov nezaručujú správne fungovanie dátového úložiska.

#### Ⓑ PRIPOJTE KAMERU K NAPÁJANIU

- Kameru môžete nabíjať ako pripojením k počítaču, tak pomocou dokúpiteľného sieťového adaptéru.
- Nabitie batérie z 0 na 100 % trvá približne 4,5 hod. Po nabití zhasne indikátor nabíjania.

**Poznámka:** Nabitie batérie z 0 na 80 % trvá 2,5 hod.

## 5. NASTAVENIE V REŽIME VIDEO

<b>Rozlíšenie videa</b>	Nastavenie rozlíšenia a FPS (snímok za sekundu) v ktorom kamera bude nahrávať.
<b>Video kvalita</b>	Nastavenie požadovanej kvality videa.
<b>Nahrávanie zvuku</b>	Nastavenie, či má kamera nahrávať zvuk.
<b>Expozícia</b>	Nastavenia kompenzácie expozície. Vyššia hodnota znamená svetlejšie video, nižšia hodnota tmavšie video.
<b>Stabilizácia</b>	Zapnutie/vypnutie MaxSmooth stabilizácie, ktorá je dostupná vo všetkých rozlíšeniach pri maximálne 60 fps. Pri zapnutej stabilizácii je uhol záberu (FOV) menší a takisto môže pri horších svetelných podmienkach negatívne ovplyvniť kvalitu videa. Nemožno kombinovať s funkciou korekcie rybieho oka.
<b>Cyklické nahrávanie</b>	Pokiaľ je zapnuté, video sa rozdelí do časových segmentov podľa výberu nastavenia.
<b>Interval časozberu</b>	Nastavenie časového intervalu v ktorom bude kamera zhotovovať snímky, ktoré následne uloží do jedného video súboru.
<b>Trvanie časozberu</b>	Tu je možné nastaviť trvanie časozberného videa. Po uplynutí nastaveného času sa nahrávanie ukončí.
<b>Spomalené video</b>	Spomalené videa možno nahrávať pri rozlíšeniach so snímkovou frekvenciou 60 fps a 120 fps. Pre lepšie výsledky je vhodné využiť statív.
<b>Zrýchlené video</b>	Zvolenie hodnoty pre nahrávanie zrýchleného videa.
<b>Redukcia šumu vetra</b>	Funkcia zlepší nahrávaný zvuk pri silnom vetre.
<b>Metering</b>	Nastavenie spôsobu merania expozície. Na výber je z troch režimov „Stred“, „Priemer“ a „Jeden bod“. <ul style="list-style-type: none"><li>› <b>Stred</b> – Toto nastavení je vhodné pre natáčanie objektov, ktoré sa budú prevažne nachádzať uprostred záberu.</li><li>› <b>Priemer</b> – V tomto nastavení kamera získava informácie o svetle z celej scény a nastaví priemerné hodnoty.</li><li>› <b>Jeden bod</b> – Toto nastavenie umožní zmerať malú časť scény, východzia hodnota nastavenia je stred. Užívateľ pomocou dotykovej obrazovky môže zvoliť iný bod, z ktorého kamera určí expozíciu.</li></ul>
<b>Dátum vo videu</b>	Zapína/vypína vloženie dát a času do nahrávaného videa.

## 6. NASTAVENIE V REŽIMU FOTOGRAFIE

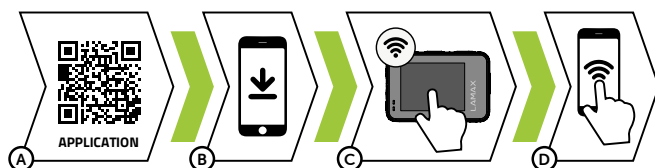
<b>Rozlíšenie foto</b>	Nastavenie rozlíšenia zhotovovaných fotografií.
<b>ISO</b>	Nastavenie hodnoty ISO. Nastavená hodnota ISO určí citlivosť na svetlo. Čím vyššia hodnota, tým svetlejšia snímka.
<b>Expozícia</b>	Nastavenie kompenzácie expozície. Vyššia hodnota znamená svetlejšiu fotografiu, nižšia hodnota tmavšiu fotografiu.

<b>Interval časozberu</b>	Nastavenie časového intervalu v ktorom bude kamera zhotovovať snímky, ktoré uloží ako jednotlivé súbory.
<b>Trvanie časozberu</b>	Nastaví dĺžku zhotovovania časozberných fotografií.
<b>Samospúšť'</b>	Nastavenie časového intervalu pre samospúšť.
<b>Dlhá expozícia</b>	Nastavenie doby expozície. V tomto nastavení kamera nechá uzávierku otvorenú na dlhšiu dobu, než obvykle. Pre najlepšie výsledky odporúčame použiť statív a nehýbať s kamerou.
<b>Dátum na fotke</b>	Zapína/vypína vloženie dát a času do zhotovenej fotografie.


## 7. NASTAVENIA KAMERY

<b>Frekvencia siete</b>	Umožňuje vybrať frekvenciu v súlade s frekvenciou rozvodnej siete (na Európskom kontinente je vedený v sieti prúd s frekvenciou 50 Hz, v Amerike a časti Ázie je to potom 60 Hz).
<b>Zvuky</b>	Zapnutie/vypnutie systémových zvukov kamery a ich hlasitosť.
<b>Vyváženie bielej</b>	Nastavenie vyváženia bielej farby pre rôzne spôsoby osvetlenia scény.
<b>Efekt</b>	Nastavenia farebných módov.
<b>LDC</b>	Zapína/vypína redukciu rybieho oka za pomoci zmenšenia uhlu záberu. Nie je možné kombinovať s funkciou so stabilizáciou obrazu.
<b>Dátum a čas</b>	Nastavenia systémového dát a času.
<b>Šetrič obrazovky</b>	Nastavuje čas, po ktorom sa automaticky vypne displej, aby šetрил batériu. Dotykem na displej alebo stlačením tlačidiel displej znovu aktivujete.
<b>Automatické vypnutie</b>	Nastavenie automatického vypnutia kamery v dobe nečinnosti. Zapnutá funkcia vypne kameru v prípade, že nenahráva video.
<b>Auto nahrávanie po zapnutí</b>	Zapína/vypína automatické nahrávanie pri zapnutí kamery.
<b>Jazyk</b>	Výber jazyka.
<b>Formátovať</b>	Vymazanie všetkých dát na pamäťovej karte.
<b>Systém</b>	Umožňuje prístup k informáciám o firmvéri kamery, k informáciám o pamäťovej karte a takisto možno uviesť kameru do Továrenského nastavenia.

## 8. WIFI – MOBILNÁ APLIKÁCIA



Vďaka mobilnej aplikácii budete môcť meniť režimy a nastavenia kamery alebo prehliadač a sťahovať natočené videá a fotografie priamo do vášho mobilného zariadenia.

- A** Načítajte QR kód pre stiahnutie aplikácie alebo kliknite na nasledujúci odkaz: <https://www.lamax-electronics.com/w92/app/>
- B** Nainštalujte aplikáciu do vášho mobilného zariadenia.
- C** Zapnite WiFi v kamere stlačením tlačidla POWER alebo dotykom na ikonku „WiFi“ ktorú nájdete po kliknutí na ikonku .
- D** Na vašom mobilnom zariadení sa pripojte na WiFi sieť s názvom kamery. Heslo na WiFi je zobrazené na displeji kamery (z výroby 1234567890).

## 9. VODOTESNOSŤ

**Odolnosť proti ponoreniu do vody je splnená za týchto podmienok:**

### AKČNÁ KAMERA:

Kamera bez puzdra odolá ponoreniu do hĺbky 12 metrov. Pred ponorením sa uistite, že máte správne zatvorené kryty na bočnej a spodnej strane kamery. Kryty a tesnenie musia byť zbavené všetkých nečistôt, ako je prach, piesok a podobne. Kryty kamery neotvárajte pred vyschnutím tela kamery. V prípade použitia v slanej vode opláchnite kameru pitnou vodou. Na osušenie nepoužívajte žiadne textilné látky či externé zdroje tepla (fén, mikrovlnná trúba apod.), kameru vždy nechajte pozvoľna vyschnúť.

### VODOTESNÉ PUZDRO:

Puzdro odolá ponoreniu do hĺbky 40 metrov. Pred použitím kamery v puzdre sa ubezpečte, či sú správne zatvorené zadné dvierka pomocou mechanizmu na hornej strane puzdra. Dvierka a tesnenie puzdra, musia byť zbavené všetkých nečistôt ako je prach, piesok a podobne. Pri použití v slanej vode opláchnite puzdro pitnou vodou. Na osušenie nepoužívajte žiadne textilné látky, či externé zdroje tepla (fén, mikrovlnná rúra a podobne), puzdro nechajte vždy pozvoľna vyschnúť. V prípade použitia vodotesného puzdra, nie je možné využiť dotykovú plochu displeja kamery a je nutné ovládať kameru pomocou tlačidiel.

### DIAĽKOVÉ OVLÁDANIE:

Diaľkové ovládanie odolá ponoreniu do hĺbky 2 metrov. Pred ponorením sa uistite, že je správne uzatvorený kryt USB na spodnej strane ovládania. Kryt neotvárajte skôr, než je telo diaľkového ovládania vysušené. Na osušenie nepoužívajte externé zdroje tepla (fén, mikrovlnná rúra a podobne), diaľkové ovládanie nechajte pozvoľna vyschnúť alebo po usušení použite jemnú textilnú látku.

## 10. BEZPEČNOSTNÉ OPATRENIA

**Pred prvým použitím je spotrebiteľ povinný sa zoznámiť so zásadami bezpečného používania výrobku.**

### ZÁSADY A UPOZORNENIA

- Pre zaistenie vlastnej bezpečnosti nepoužívajte ovládacie prvky tohto prístroja pri riadení.
- Pri používaní rekordéra v aute je nutný okenný držiak. Rekordér umiestnite na vhodné miesto tak, aby nebránil vo výhlade vodiča ani v aktivácii bezpečnostných prvkov (napr. airbagov).
- Objektív kamery nesmie byť ničím blokovaný a v blízkosti objektívu sa nesmie nachádzať žiadny reflexný materiál. Uchovávajte objektív čistý.
- Ak je čelné sklo automobilu zafarbené reflexnou vrstvou, môže to obmedzovať kvalitu záznamu.

### BEZPEČNOSTNÉ ZÁSADY

- Nepoužívajte nabíjačku vo vysoko vlhkom prostredí. Nikdy sa nabíjačky nedotýkajte mokrými rukami alebo ak stojíte vo vode.
- Pri napájaní prístroja alebo nabíjaní batérie ponechajte v okolí nabíjačky dostatočný priestor pre cirkuláciu vzduchu. Neprikrývajte nabíjačku papiermi ani inými predmetmi, ktoré by mohli zhoršiť jej chladenie. Nepoužívajte nabíjačku uloženú v transportnom obale.
- Nabíjačku pripojte ku správnejmu zdroju napätia. Údaje o napätí sú uvedené na plášti výrobku alebo na jeho obale.
- Nepoužívajte nabíjačku, ak je zjavne poškodená. V prípade poškodenia zariadenia ju sami neopravujte!
- V prípade nadmerného zahrievania prístroja ho okamžite odpojte od prívodu energie.
- Nabíjajte zariadenie pod dohľadom.
- Balenie obsahuje malé časti, ktoré môžu byť nebezpečné pre deti. Produkt vždy odkladajte mimo dosahu detí. Vrecká alebo časti, ktoré obsahujú, môžu po prehltnutí alebo nasadení na hlavu spôsobiť udusenie.


### BEZPEČNOSTNÉ UPOZORNENIE PRE LI-ION BATÉRIE

- Pred prvým použitím batériu plne nabite.
- Na nabíjanie používajte len nabíjačku, ktorá je pre tento typ batérie určená.
- Používajte štandardné káble pre nabíjanie, inak by mohlo dôjsť k poškodeniu zariadenia.
- V žiadnom prípade nepripájajte k nabíjačke mechanicky poškodené alebo nafúknuté batérie. Batérie v takom stave už vôbec nepoužívajte, hrozí nebezpečenstvo výbuchu.
- Nepoužívajte akokoľvek poškodený sieťový adaptér alebo nabíjačku.
- Nabíjajte v izbovej teplote, nikdy nenabíjajte pri teplote nižšej ako 0 °C alebo pri teplote vyššej ako 40 °C.
- Dajte pozor na pády, batériu neprederavte ani inak nepoškodujte. Poškodenú batériu rozhodne neopravujte.
- Nevystavujte nabíjačku ani batériu pôsobeniu vlhkosti, vody, dažďa, snehu alebo rôznym nástrekom.
- Batériu nenechávajte vo vozidle, nevystavujte slnečnému žiareniu a nedávajte do blízkosti zdroja tepla. Silné svetlo či vysoké teploty môžu batériu poškodiť.
- Počas nabíjania nenechávajte akumulátory nikdy bez dohľadu, skrat alebo náhodné prebitie (akumulátora nevhodného pre rýchlonabíjanie alebo nabíjaného nadmerným prúdom či pri poruche nabíjačky) môže spôsobiť únik agresívnych chemikálií, explóziu alebo požiar!
- V prípade, že pri nabíjaní batérie dochádza k jej nadmernému ohrievaniu, batériu okamžite odpojte.
- Nabíjačku a nabíjaný akumulátor neumiestňujte pri nabíjaní na horľavé predmety alebo do ich blízkosti. Pozor na záclony, koberce, obrusy a podobne.
- Hneď ako je dobíjané zariadenie plne dobité, odpojte ho z dôvodu bezpečnosti.
- Udržujte batériu mimo dosah detí a zvierat.
- Nabíjačku ani batériu nikdy nerozoberajte.
- Ak je batéria integrovaná, nikdy nerozoberajte zariadenie, pokiaľ nie je stanovené inak. Akýkoľvek takýto pokus je riskantný a môže mať za následok poškodenie produktu a stratu záruky.
- Nevyhadzujte opotrebované alebo poškodené batérie do odpadkového koša, ohňa či do vykurovacích zariadení, ale odovzdajte ich v zberniach nebezpečného odpadu.

## ÚDRŽBA PRÍSTROJA

- Dobrá údržba tohto prístroja zaistí bezproblémový chod a obmedzí nebezpečenstvo poškodenia.
- Uchovávajújte prístroj mimo extrémnu vlhkosť a teploty a nevystavujte prístroj dlhodobo priamemu slnečnému alebo ultrafialovému žiareniu.
- Zabráňte pádu prístroja, nevystavujte ho silným nárazom.
- Nevystavujte prístroj náhlym a prudkým zmenám teplôt. Mohlo by to spôsobiť kondenzovanie vlhkosti vnútri zariadenia, čo by mohlo prístroj poškodiť. V prípade, kedy dôjde ku kondenzácii vlhkosti, nechajte prístroj pred ďalším používaním dokonale vyschnúť.
- Zásadne nečistite prístroj, keď je zapnutý. K čisteniu prístroja používajte mäkkú handričku.
- Zásadne sa nepokúšajte prístroj rozobrať, opravovať alebo akokoľvek upravovať. V prípade demontáže, úprav alebo akéhokoľvek pokusu o opravu dochádza ku prepadnutiu záruky a môže dôjsť ku poškodeniu prístroja alebo dokonca ku zraneniu alebo škodám na majetku.
- Neskladujte ani neprevádzajte horľavé kvapaliny, plyny alebo výbušné materiály spolu s prístrojom, jeho časťami alebo doplnkami.
- Aby sa zabránilo krádeži, nenechávajújte prístroj a príslušenstvo na viditeľnom mieste vo vozidle bez dozoru.
- Prehriatie môže prístroj poškodiť.
- Pri styku so silne chlóravanou alebo morskou vodou kameru opláchnite v pitnej vode a osušte ju.
- Na vysušenie kamery nepoužívajte externý zdroj tepla ako napríklad mikrovlnka alebo sušiak na vlasy.
- Pred plávaním alebo potápaním vždy skontrolujte či nie sú pootvorené dvierka batérie alebo dvierka k napájacím portom. Ak áno zatvorte ich, inak kamera nebude vykazovať vodotesnosť.
- Dotykový displej utierajte len utierkou ktorá je k tomu určená a vyhnite sa tak jeho poškriabaniu.

## ĎALŠIE INFORMÁCIE

1) Pre domácnosti: Uvedený symbol () na výrobku alebo v sprievodnej dokumentácii znamená, že použité elektrické alebo elektronické výrobky nesmú byť likvidované spoločne s komunálnym odpadom. Za účelom správnej likvidácie výrobku ho odovzdajte na určených zberných miestach, kde budú prijaté zdarma. Správnu likvidáciu tohto produktu pomôžete zachovať cenné prírodné zdroje a napomáhate prevencii potenciálnych negatívnych dopadov na životné prostredie a ľudské zdravie, čo by mohli byť dôsledky nesprávnej likvidácie odpadov. Ďalšie podrobnosti si vyžiadajte od miestneho úradu alebo najbližšieho zberného miesta. Pri nesprávnej likvidácii tohto druhu odpadu môžu byť v súlade s národnými predpismi udelené pokuty. Informácie pre užívateľov k likvidácii elektrických a elektronických zariadení v ostatných krajinách mimo Európskej únie: Vyššie uvedený symbol (preškrtnutý kôš) je platný len v krajinách Európskej únie. Pre správnu likvidáciu elektrických a elektronických zariadení si vyžiadajte podrobné informácie u vášho predajcu alebo dodávateľa. Informácie pre užívateľov k likvidácii elektrických a elektronických zariadení v ostatných krajinách mimo Európskej únie: Vyššie uvedený symbol (preškrtnutý kôš) je platný len v krajinách Európskej únie. Pre správnu likvidáciu elektrických a elektronických zariadení si vyžiadajte podrobné informácie u vašich úradov alebo u predajca zariadenia. Všetko vyjadruje symbol preškrtnutého kontajnera na výrobku, obalu alebo tlačenej materiáloch.

2) Záručné opravy zariadenia uplatňujte u svojho predajcu. V prípade technických problémov a otázok kontaktujte svojho predajcu, ktorý Vás bude informovať o ďalšom postupe. Dodržujte pravidlá pre prácu s elektrickými zariadeniami. Užívateľ nie je oprávnený rozoberať zariadenie ani vymieňať žiadnu jeho súčasť. Otváranie alebo odstránenie krytov hrozí riziko úrazov elektrickým prúdom. Pri nesprávnom zostavení zariadenie jeho opätovnom zapojení sa tiež vystavujete riziku úrazov elektrickým prúdom.

Záručná lehota na výrobky je 24 mesiacov, pokiaľ nie je stanovená inak. Záruka sa nevzťahuje na poškodenie spôsobené neštandardným používaním, mechanickým poškodením, vystavením agresívnym podmienkam, zachádzaním v rozpore s manuálom a bežným opotrebovaním. Záručná doba na batériu je 24 mesiacov, na jej kapacitu 6 mesiacov.

Výrobca, dovozca ani distribútor nenesú žiadnu zodpovednosť za akékoľvek škody spôsobené montážou alebo nesprávnym používaním produktu.



## **VYHLÁSENIE O ZHODE:**

Spoločnosť elem6 s.r.o. týmto prehlasuje, že všetky zariadenia LAMAX sú v zhode so základnými požiadavkami a ďalšími príslušnými ustanoveniami smernice 2014/30/EU a 2014/53/EU. Produkty sú určené na predaj bez obmedzenia v Nemecku, Českej republike, Slovensku, Poľsku, Maďarsku a v ďalších členských krajinách EÚ. Záručná lehota na výrobky je 24 mesiacov, pokiaľ nie je stanovená inak. Vyhlásenie o zhode možno stiahnuť z webu [www.lamax-electronics.com/support/doc](http://www.lamax-electronics.com/support/doc).

- Frekvenčné pásmo, v ktorom rádiové zariadenie pracuje: 2412 MHz~2462 MHz
- Maximálny rádiový výkon vysielaný vo frekvenčnom pásme, v ktorom je rádiové zariadenie používané: 12.51 dBm

## **VÝROBCA:**

elem6 s.r.o., Braškovská 308/158, 161 00 Praha 6  
<https://www.lamax-electronics.com>



**Tlačové chyby a zmeny v manuáli sú vyhradené.**

# LAMAX

ELECTRONICS

---

## LAMAX W9.2

ACTION CAMERA



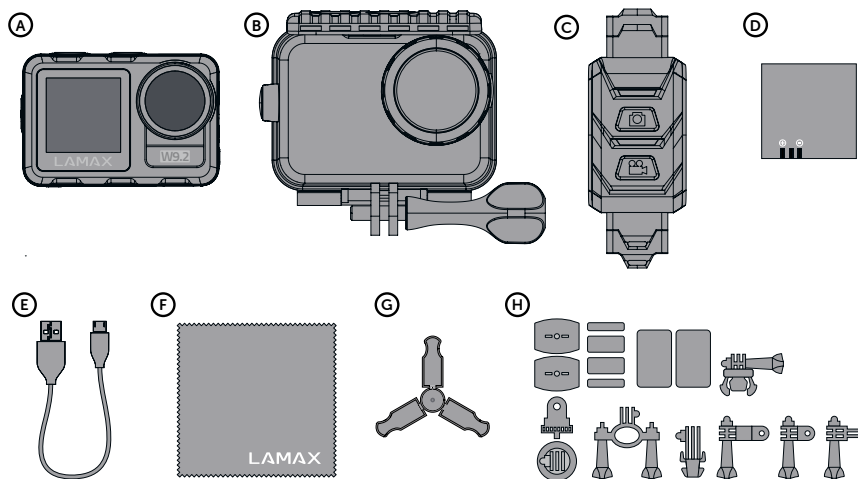
---

PL – Instrukcja obsługi

## SPIS TREŚCI

1. ZAWARTOŚĆ ZESTAWU.....	2
2. ZAPOZNANIE Z KAMERĄ.....	3
3. OBSŁUGA KAMERY .....	4
4. PIERWSZE WŁĄCZENIE.....	4
5. USTAWIENIE W TRYBIE VIDEO .....	5
6. USTAWIENIE W TRYBIE ZDJĘCIE .....	5
7. USTAWIENIE KAMERY .....	6
8. WIFI – APLIKACJA MOBILNA .....	7
9. WODOSZCZELNOŚĆ .....	7
10. ŚRODKI BEZPIECZEŃSTWA.....	8

## 1. ZAWARTOŚĆ ZESTAWU



**A** Kamera sportowa LAMAX W9.2

**B** Futurał wodoszczelny do 40 m

**C** Pilot zdalnego sterowania wodoszczelny do 2 m

**D** Li-ion baterie

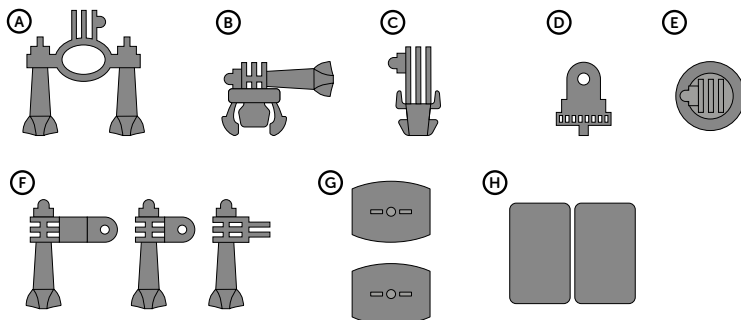
**E** Kabel USB-C do ładowania/transmisji plików

**F** Ściereczka z mikrofibry

**G** Mini statyw

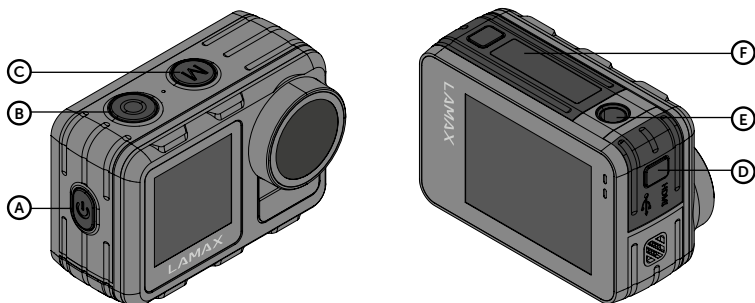
**H** Uchwyty

## UCHWYTY



- A** Uchwyt do kijka – do przymocowania na przykład do kierownicy
- B** Fast plug-in – do szybkiego zatrzaśnięcia uchwytu
- C** J mount – do szybkiego zatrzaśnięcia z podwyższeniem
- D** Redukcja na statyw – do podłączenia kamery bez futerału na akcesoria
- E** Adapter na statyw – do podłączenia kamery w futerału do statywu
- F** 3-axis connector (3 części) – do zamocowania w dowolnym kierunku
- G** Uchwyt samoprzylepny (2x) – do zamocowania na gładkiej powierzchni (kask, maska)
- H** Zapasowe podkładki 3M (2x) – do ponownego przyklejenia uchwytu samoprzylepnego





## 2. ZAPOZNANIE Z KAMERĄ



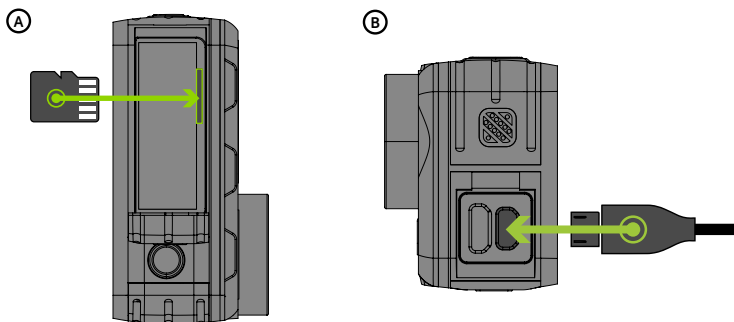
- A** Przycisk POWER
- B** Przycisk REC
- C** Przycisk MODE
- D** Pokrywa dostępu do złączy USB-C i micro HDMI
- E** Pokrywa baterii i slotu na kartę micro SD
- F** Gwint do zamocowania kamery na statywie lub kijku do selfie

**Uwaga:** Używać tylko zalecanych akcesoriów, w przeciwnym razie kamera może zostać uszkodzona.

### 3. OBSŁUGA KAMERY

<b>Włączenie i wyłączenie</b>	Przytrzymać przycisk POWER lub przeciągnąć kciukiem w dół, a następnie nacisnąć ikonę POWER
<b>Uruchomienie / zakończenie nagrywania i wykonania zdjęcia</b>	Nacisnąć przycisk REC
<b>Szybka zmiana trybu foto/video</b>	Przeciągnąć kciukiem w bok lub przyciskiem MODE
<b>Wybór trybu</b>	Nacisnąć na ikonę  lub przeciągnąć kciukiem w górę, a następnie wybrać wymagany tryb
<b>Ustawienie</b>	Nacisnąć na ikonę 
<b>Przeglądanie plików</b>	Nacisnąć na ikonę 
<b>Przełączanie pomiędzy wyświetlaczami</b>	Przytrzymać przycisk MODE
<b>Włączenie/wyłączenie WiFi</b>	Nacisnąć przycisk POWER lub dotknąć ikonę „WiFi”, którą znajdziesz po kliknięciu na ikonę 

### 4. PIERWSZE WŁĄCZENIE



#### **A) WŁÓŻ KARTĘ MICROSD DO KAMERY ZGODNIE Z RYSUNKIEM (ZŁĄCZA W KIERUNKU OBIEKTYWU)**

- Kartę należy wkładać tylko wtedy, gdy kamera jest wyłączona i niepodłączona do komputera.
- Sformatuj kartę bezpośrednio w kamerze przy pierwszym użyciu.
- Zalecamy karty pamięci o większej szybkości zapisu (UHS Speed Class –U3 i wyższe) i maksymalnej pojemności 128 GB.

**Uwaga:** Używać tylko kart Micro SDHC lub SDXC renomowanych producentów. Karty producentów nieznanego pochodzenia nie gwarantują właściwego działania miejsca zapisu danych.

#### **B) PODŁĄCZ KAMERĘ DO ZASILANIA**

- Kamerę można ładować zarówno poprzez podłączenie do komputera, jak i za pomocą opcjonalnego zasilacza sieciowego.
- Ładowanie baterii z 0 na 100% trwa około 4,5 godz. Po naładowaniu zgaśnie wskaźnik ładowania.

**Uwaga:** Ładowanie baterii z 0 do 80% trwa 2,5 godz.

## 5. USTAWIENIE W TRYBIE VIDEO

<b>Rozdzielczość wideo</b>	Ustawienie rozdzielczości i FPS (klatki na sekundę), w których kamera będzie nagrywać.
<b>Jakość wideo</b>	Ustawienie żądanej jakości wideo.
<b>Nagrywanie dźwięku</b>	Ustawienie, czy kamera ma nagrywać dźwięk.
<b>Ekspozycja</b>	Ustawienie kompensacji ekspozycji. Wyższa wartość oznacza jaśniejszy film, niższa wartość oznacza ciemniejszy film.
<b>Stabilizacja</b>	Włączenie / wyłączenie stabilizacji MaxSmooth, która jest dostępna we wszystkich rozdzielczościach przy maksymalnie 60 fps. Gdy stabilizacja jest włączona, kąt widzenia (FOV) jest mniejszy i może również niekorzystnie wpływać na jakość wideo w złych warunkach oświetleniowych. Nie można łączyć z funkcją korekcji efektu rybiego oka.
<b>Nagrywanie cykliczne</b>	Jeśli ta opcja jest włączona, wideo zostanie podzielone na segmenty czasowe zgodnie z wybranym ustawieniem.
<b>Interwał poklatkowy</b>	Ustawienie interwału czasu, w którym kamera będzie robić zdjęcia, które następnie zapisze w jednym pliku wideo.
<b>Czas trwania trybu poklatkowego</b>	Tutaj można ustawić czas trwania filmu poklatkowego. Po upływie ustawionego czasu nagrywanie zakończy się.
<b>Film w zwolnionym tempie</b>	Filmy w zwolnionym tempie można nagrywać w rozdzielczościach z szybkością 60 fps i 120 fps. Aby uzyskać lepsze wyniki, zaleca się użycie statywu.
<b>Przyspieszony film</b>	Wybór wartości dla szybkiego nagrywania filmu.
<b>Redukcja szumu wiatru</b>	Funkcja poprawi nagrywany dźwięk przy silnym wietrze.
<b>Metering</b>	Ustawienie sposobu pomiaru ekspozycji. Do wyboru są trzy tryby: „Centrum”, „Średnia” i „Jeden punkt”. <ul style="list-style-type: none"><li>➤ <b>Centrum</b> – to ustawienie jest odpowiednie do nagrywania obiektów, które będą znajdować się głównie w środku kadru.</li><li>➤ <b>Średnia</b> – w tym ustawieniu kamera uzyskuje informacje o oświetleniu z całej sceny i ustawia wartości średnie.</li><li>➤ <b>Jeden punkt</b> – to ustawienie umożliwia pomiar niewielkiej części sceny, ustawienie domyślne to centrum. Za pomocą ekranu dotykowego użytkownik może wybrać inny punkt, z którego kamera ustala ekspozycję.</li></ul>
<b>Data na nagraniu</b>	Włącza/wyłącza wstawianie daty i godziny do nagranych filmów.

## 6. USTAWIENIE W TRYBIE ZDJĘCIE

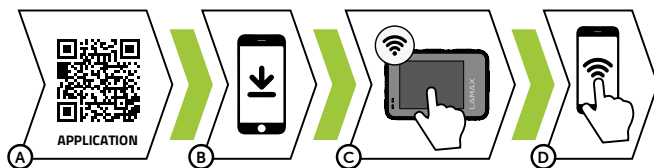
<b>Rozdzielczość zdjęcia</b>	Ustawienie rozdzielczości wykonywanych zdjęć.
<b>ISO</b>	Ustawienie wartości ISO. Ustawiona wartość ISO określa czułość na światło. Im wyższa wartość, tym bardziej jasne zdjęcie.
<b>Ekspozycja</b>	Ustawienie kompensacji ekspozycji. Wyższa wartość oznacza jaśniejsze zdjęcie, niższa wartość ciemniejsze zdjęcie.

<b>Interwał poklatkowy</b>	Ustawienie interwału czasowego, w którym kamera będzie robiła zdjęcia, aby zapisać je jako pojedyncze pliki.
<b>Czas trwania trybu poklatkowego</b>	Ustawi długość wykonywania zdjęć poklatkowych.
<b>Samowyzwalacz</b>	Ustawienie interwału czasowego dla samowyzwalacza.
<b>Długo ekspozycja</b>	Ustawienie okresu ekspozycji. W tym ustawieniu kamera pozostawia migawkę otwartą dłużej niż zwykle. Aby uzyskać jak najlepsze rezultaty, zalecamy używanie statywu i nie ruszanie kamery.
<b>Data na zdjęciu</b>	Włącza/wyłącza wstawianie daty i godziny do zrobionego zdjęcia.


## 7. USTAWIENIE KAMERY

<b>Częstotliwość sieci</b>	Umożliwia wybór częstotliwości zgodnie z częstotliwością sieci dystrybucyjnej (na kontynencie europejskim w sieci przewodzony jest prąd o częstotliwości 50 Hz, w Ameryce i części Azji jest to 60 Hz).
<b>Dźwięki</b>	Włączenie/wyłączenie dźwięków systemowych kamery i ich głośności.
<b>Balans bieli</b>	Ustawienie balansu bieli, aby uzyskać różne sposoby oświetlenia sceny.
<b>Efekt</b>	Ustawienie trybów koloru.
<b>LDC</b>	Włącza/wyłącza redukcję efektu rybiego oka poprzez zmniejszenie kąta widzenia. Nie można łączyć z funkcją stabilizacji obrazu.
<b>Data i godzina</b>	Ustawienie daty i godziny systemowej.
<b>Wygaszacz ekranu</b>	Ustawia czas, po którym wyświetlacz wyłączy się automatycznie, aby oszczędzać energię baterii. Dotknij ekranu lub naciśnij przyciski, aby ponownie aktywować ekran.
<b>Automatyczne wyłączenie</b>	Ustawienie automatycznego wyłączenia kamery w stanie bezczynności. Włączona funkcja wyłączy kamerę, gdy nie nagrywa wideo.
<b>Automatyczne nagrywanie po włączeniu</b>	Włącza/wyłącza automatyczne nagrywanie po włączeniu kamery.
<b>Język</b>	Wybór języka.
<b>Formatowanie</b>	Usuwanie wszystkich danych z karty pamięci.
<b>System</b>	Umożliwia dostęp do informacji o firmwarze kamery, informacji o karcie pamięci, a także można ustawić kamerę na ustawienia fabryczne.

## 8. WIFI – APLIKACJA MOBILNA



Dzięki aplikacji mobilnej będziesz mógł zmieniać tryby i ustawienia kamery lub przeglądać i pobierać nagrane filmy i zdjęcia bezpośrednio na swoje urządzenie mobilne.

- A** Wczytaj kod QR, aby pobrać aplikację lub kliknij na poniższy link:  
<https://www.lamax-electronics.com/w92/app/>
- B** Zainstaluj aplikację na swoim urządzeniu mobilnym.
- C** Włącz WiFi w kamerze naciskając przycisk POWER lub dotykając ikony „WiFi”, którą można znaleźć klikając na ikonę .
- D** Na swoim urządzeniu mobilnym połącz się z siecią Wi-Fi z nazwą kamery. Hasło na WiFi wyświetlone jest na wyświetlaczu kamery (fabryczne 1234567890).

## 9. WODOSZCZELNOŚĆ

**Odporność na zanurzenie w wodzie jest zachowana w następujących warunkach:**

### KAMERA SPORTOWA:

Kamera bez futerału wytrzymałe zanurzenie na głębokość 12 metrów. Przed zanurzeniem upewnij się, że pokrywy z boku i na spodzie kamery są prawidłowo zamknięte. Pokrywy i uszczelki muszą być wolne od wszelkich zanieczyszczeń, takich jak kurz, piasek i tym podobne. Nie otwieraj pokryw kamery, zanim korpus kamery nie wyschnie. W przypadku używania w słonej wodzie opłucz kamerę wodą pitną. Nie używaj do suszenia żadnych tkanin ani zewnętrznych źródeł ciepła (suszarka do włosów, kuchenka mikrofalowa itp.), pozwól kamerze wyschnąć powoli.

### FUTERAŁ WODOSZCZELNY:

Futerał wytrzymałe zanurzenie na głębokość 40 metrów. Przed użyciem kamery w futerał należy upewnić się, że tylne pokrywy futerału są prawidłowo zamknięte za pomocą mechanizmu na górze futerału. Pokrywy i uszczelki futerału muszą być wolne od wszelkich zanieczyszczeń, takich jak kurz, piasek itp. W przypadku użycia w słonej wodzie opłucz futerał wodą pitną. Do suszenia nie używaj żadnych tekstyliów ani zewnętrznych źródeł ciepła (suszarka do włosów, kuchenka mikrofalowa, itp.), pozostaw futerał do powolnego wysuszenia. W przypadku zastosowania wodoszczelnego futerału, nie można korzystać z ekranu dotykowego wyświetlacza kamery, a kamerę należy obsługiwać za pomocą przycisków.

### PILOT ZDALNEGO STEROWANIA:

Pilot zdalnego sterowania jest odporny na zanurzenie na głębokość 2 metrów. Przed zanurzeniem upewnij się, że pokrywa USB na spodzie pilota zdalnego sterowania jest prawidłowo zamknięta. Nie otwieraj pokrywy, zanim obudowa pilota zdalnego sterowania nie wyschnie. Nie używaj zewnętrznych źródeł ciepła (suszarka do włosów, kuchenka mikrofalowa itp.) do suszenia, pozwól zdalnemu sterowaniu powoli wyschnąć lub użyj miękkiej szmatki do wysuszenia.



## 10. ŚRODKI BEZPIECZEŃSTWA

**Przed pierwszym użyciem, użytkownik zobowiązany jest do zapoznania się z zasadami bezpiecznego korzystania z produktu.**

### ŚRODKI OSTROŻNOŚCI I UWAGI

- Dla własnego bezpieczeństwa nie zmieniaj ustawień kamery podczas prowadzenia pojazdu.
- Do używania kamery w samochodzie musisz posiadać mocowanie na szybę. Kamerę zamocuj w takim miejscu, aby nie zasłaniała widoku kierowcy ani nie stanowiła przeszkody dla ewentualnego otwarcia poduszek powietrznych.
- Żaden przedmiot nie powinien blokować obiektywu kamery, a w jego pobliżu nie powinny znajdować się materiały odbijające światło. Utrzymuj obiektyw w czystości.
- Przyciemniana przednia szyba samochodu może wpływać na jakość nagrywania.

### ŚRODKI OSTROŻNOŚCI DOTYCZĄCE BEZPIECZEŃSTWA

- Nie używaj ładowarki w miejscach o dużej wilgotności. Nie dotykaj ładowarki mokrymi rękami lub kiedy stoisz w wodzie.
- Jeśli używasz ładowarki do zasilania urządzenia lub ładowania baterii, zapewnij odpowiednią wentylację jego otoczenia. Nie przykrywaj ładowarki papierem ani innymi przedmiotami, aby nie ograniczać jego chłodzenia. Nie używaj ładowarki, gdy znajduje się ona w torbie do przenoszenia.
- Ładowarkę podłączaj jedynie do odpowiedniego źródła zasilania. Wymagania dotyczące napięcia znajdują się na obudowie i/lub opakowaniu produktu.
- Nie używaj ładowarki z uszkodzonym przewodem. W przypadku uszkodzenia nie podejmuj się jej samodzielnej naprawy!
- W razie nadmiernego nagrzewania urządzenia, natychmiast odłącz je od zasilania energii.
- Urządzenie należy ładować pod nadzorem.
- Opakowanie zawiera małe elementy, które mogą być niebezpieczne dla dzieci. Zawsze przechowuj produkt w miejscu niedostępnym dla dzieci. Torebki, jak i liczne drobne elementy, które się w nich znajdują, mogą spowodować zadławienie w przypadku ich połknięcia.

### ŚRODKI OSTROŻNOŚCI W UŻYTKOWANIU LI-ION BATERII


- Przed pierwszym użytkowaniem w pełni naładuj baterię.
- W celu ładowania korzystaj wyłącznie z ładowarki, która jest przeznaczona do danego typu baterii.
- Wykorzystuj standardowe kable do zasilania. W innym przypadku urządzenie mogłoby ulec uszkodzeniu.
- W żadnym razie nie podłączaj do ładowarki baterii, która została mechanicznie uszkodzona lub posiada zniekształconą (wypukłą) powierzchnię. Baterii w takim stanie nie należy już w ogóle wykorzystywać, ponieważ zagraża niebezpieczeństwem wybuchu.
- Nie korzystaj z jakiegokolwiek uszkodzonego adaptera sieciowego lub ładowarki.
- Ładowanie powinno przebiegać w temperaturze pokojowej. Nigdy nie ładuj przy temperaturze niższej niż 0°C lub wyższej niż 40°C.
- Chroń baterię przed upadkiem, nie przekłuwaj jej ani nie doprowadzaj do jej uszkodzenia w żaden inny sposób. Nie próbuj samodzielnie naprawiać uszkodzonej baterii.
- Nie narażaj ładowarki ani baterii na oddziaływanie wilgoci, wody, deszczu, śniegu czy też innych opadów.
- Nie pozostawiaj baterii w samochodzie, nie wystawiaj jej na światło słoneczne ani nie umieszczaj jej w pobliżu źródła ciepła. Silne światło czy też wysokie temperatury mogą uszkodzić baterię.
- Podczas ładowania nigdy nie pozostawiaj akumulatorów bez nadzoru. Zwarcie lub nadmierne naładowanie (akumulatora nieodpowiedniego do szybkiego ładowania, ładowanego prądem o nadmiernym nasileniu lub podczas awarii ładowarki) może spowodować wyciek agresywnych substancji chemicznych, eksplozję, a w konsekwencji pożar!
- W sytuacji, kiedy podczas ładowania baterii dojdzie do jej nadmiernego ogrzewania, natychmiast odłącz baterię.

- Ładowarka oraz zasilany akumulator nie umieszczaj podczas ładowania na lub w okolicy przedmiotów łatwopalnych. Uwaga na zasłony, dywany, obrusy itd.
- Jak tylko urządzenie jest w pełni naładowane, odłącz je ze względów bezpieczeństwa.
- Przechowuj baterię poza zasięgiem dzieci i zwierząt.
- Nigdy nie próbuj rozebrać ładowarki ani baterii.
- Jeżeli bateria jest wbudowana, nigdy nie próbuj rozebrać urządzenia, o ile nie zostało ustanowione inaczej. Jakakolwiek próba tego rodzaju wiąże się z ryzykiem uszkodzenia produktu, a w konsekwencji również utratą gwarancji.
- Nie wyrzucaj zużytych lub uszkodzonych baterii do kosza, ognia czy urządzeń grzewczych, ale przekaż ją do punktów zbioru niebezpiecznych odpadów.

## KONSERWACJA URZĄDZENIA

- Konserwacja urządzenia zapewni bezproblemowe działanie i zmniejszy niebezpieczeństwo uszkodzenia.
- Chroń urządzenie przed nadmierną wilgocią i ekstremalnymi temperaturami oraz unikaj zbyt długiego wystawiania go na działanie bezpośredniego światła słonecznego lub silnego światła ultrafioletowego.
- Chroń urządzenie przed upuszczeniem lub narażeniem na silne uderzenia.
- Nie wystawiaj urządzenia na działanie nagłych i dużych zmian temperatury. Mogłoby to spowodować nagromadzenie wilgoci wewnątrz urządzenia, a w rezultacie jego uszkodzenie. W przypadku nagromadzenia wilgoci, zaczekaj do całkowitego wyschnięcia urządzenia przed jego użyciem.
- Powierzchnię ekranu łatwo zarysować. Nie dopuszczaj do kontaktu powierzchni ekranu z ostrymi przedmiotami.
- Nigdy nie czyść urządzenia, kiedy jest uruchomione. Do wycierania ekranu i zewnętrznych części urządzenia używaj miękkiej, niepozostawiającej włókien szmatki. Do czyszczenia ekranu nie używaj ręczników papierowych.
- Nie podejmuj prób demontażu, naprawy ani modyfikacji urządzenia. Demontaż, modyfikacje lub próba naprawy mogą spowodować uszkodzenie urządzenia i utratę gwarancji, a nawet obrażenia ciała oraz uszkodzenie własności.
- Nie przechowuj ani nie przenoś łatwopalnych cieczy, gazów lub materiałów wybuchowych w miejscu przechowywania urządzenia, jego części lub akcesoriów.
- Aby nie stwarzać okazji do kradzieży, nie zostawiaj urządzenia ani akcesoriów na widoku w pojeździe pozabawionym nadzoru.
- Przejrzanie może spowodować uszkodzenie urządzenia.
- W przypadku kontaktu z silnie chlorowaną lub morską wodą opłukać kamerę wodą pitną i wysuszyć.
- Do suszenia kamery nie stosować zewnętrznego źródła ciepła, takiego jak kuchenka mikrofalowa lub suszarka do włosów.
- Przed pływaniem lub nurkowaniem zawsze upewnij się, czy nie jest otwarta pokrywa baterii lub pokrywa portów zasilania. Jeżeli tak, zamknąć je. W przeciwnym razie kamera nie będzie wodoszczelna.
- Wyświetlacz dotykowy wycierać tylko szmatką do tego przeznaczoną, aby uniknąć jego podrapania.

## POZOSTAŁE INFORMACJE

1) Symbol przekreślonego kontenera () zamieszczony na produkcie lub w dokumentacji towarzyszącej oznacza, że po zakończeniu eksploatacji nie należy pozbywać się urządzenia elektrycznego lub elektronicznego wraz z odpadami komunalnymi. Produkt należy dostarczyć do odpowiedniego punktu zbiórki urządzeń elektrycznych i elektronicznych przeznaczonych do recyklingu w celu jego właściwej utylizacji. W miejscu zbiórki produkt zostanie przyjęty bezpłatnie. Dzięki prawidłowej utylizacji tego produktu pomagasz zachować cenne zasoby naturalne oraz przeciwdziałasz potencjalnemu negatywnemu wpływowi na środowisko oraz ludzkie zdrowie, co może być skutkiem niewłaściwej utylizacji odpadów. Aby uzyskać więcej informacji, prosimy o kontakt z lokalnymi władzami lub w najbliższym punkcie zbiórki. Pozbywanie się odpadów tego rodzaju w nieprawidłowy sposób jest zagrożone karą przewidzianą w odpowiednich przepisach państwowych. Informacja dla użytkowników, dotycząca utylizacji sprzętu elektrycznego i elektronicznego (w przypadku zastosowania w przedsiębiorstwach i firmach): Szczegółowe informacje na temat prawidłowej utylizacji sprzętu elektrycznego i elektronicznego, możesz uzyskać u swojego sprzedawcy lub dostawcy. Informacja dla użytkowników dotycząca utylizacji spr-

zētu elektrycznego i elektronicznego w państwach spoza Unii Europejskiej: Powyższy symbol (przekreślonego kontenera) obowiązuje wyłącznie w Unii Europejskiej. Szczegółowe informacje na temat prawidłowej użycia sprzętu elektrycznego i elektronicznego możesz uzyskać w swoim urzędzie lub u sprzedawcy urządzenia. Wszystko zostało określone za pomocą symbolu przekreślonego kontenera na produkcie, opakowaniu lub w dokumentacji towarzyszącej.

2) Roszczenia gwarancyjne dotyczące urządzeń składaj w miejscu zakupu. W przypadku problemów technicznych lub pytań, skontaktuj się ze sprzedawcą, który poinformuje cię o dalszym postępowaniu. Należy dotrzymywać zasady pracy z urządzeniami elektrycznymi, a zasilający przewód elektryczny podłączać tylko do odpowiednich gniazdek elektrycznych. Użytkownik nie jest upoważniony do demontowania urządzenia ani wymiany jakiegokolwiek jego części. Przy otwarciu lub usunięciu osłon grozi niebezpieczeństwo porażenia prądem elektrycznym. Niewłaściwy montaż urządzenia i jego ponowne połączenie może również spowodować porażenie prądem elektrycznym.

Okres gwarancji na produkt wynosi 24 miesiące, o ile nie ustalono inaczej. Gwarancja nie obejmuje uszkodzeń spowodowanych niestandardowym użytkowaniem, uszkodzeniem mechanicznym, narażeniem na agresywne warunki, postępowaniem w sprzeczności z instrukcją i bieżącym zużyciem. Okres gwarancji baterii wynosi 24 miesiące, jej pojemność 6 miesięcy.

Producent, importer ani dystrybutor nie ponoszą żadnej odpowiedzialności za jakiegokolwiek szkody spowodowane montażem lub nieprawidłowym używaniem produktu.

#### **DEKLARACJA ZGODNOŚCI:**

Spółka elem6 s.r.o. niniejszym oświadcza, że wszystkie urządzenia LAMAX są zgodne z podstawowymi wymaganiami i pozostałymi odpowiednimi regulacjami Dyrektywy 2014/30/EU i 2014/53/EU. Produkty są przeznaczone do sprzedaży w Niemczech, Republice Czeskiej, na Słowacji, w Polsce, na Węgrzech oraz w dalszych krajach UE. Okres gwarancyjny na produkty to 24 miesiące, jeżeli nie zostało ustalone inaczej. Deklarację zgodności można pobrać ze strony internetowej: [www.lamax-electronics.com/support/doc](http://www.lamax-electronics.com/support/doc).

- Pasma częstotliwości w którym urządzenie pracuje: 2412 MHz–2462 MHz
- Maksymalny poziom mocy wysyłany w paśmie częstotliwości, w którym radiowe urządzenie działa: 12.51 dBm

#### **PRODUCENT:**

elem6 s.r.o., Braškovská 308/158, 161 00 Praha 6  
<https://www.lamax-electronics.com>



**Błędy w druku oraz zmiany w instrukcji obsługi zastrzeżone.**

# LAMAX

ELECTRONICS

---

## LAMAX W9.2

AKCIÓKAMERA



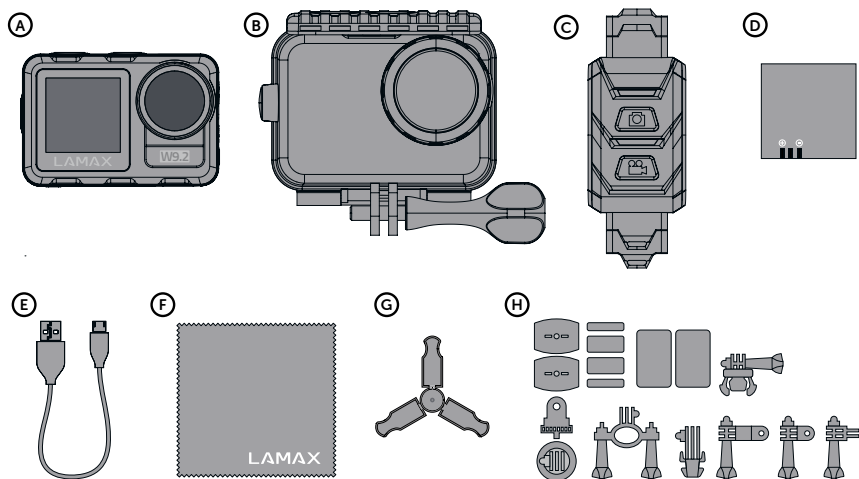
---

HU – Felhasználói kézikönyv

## TARTALOM

1. A CSOMAGOLÁS TARTALMA.....	2
2. MEGISMERKEDÉS A KAMERÁVAL.....	3
3. A KAMERA VEZÉRLÉSE.....	4
4. ELSŐ BEKAPCSOLÁS.....	4
5. BEÁLLÍTÁSOK VIDEO MÓDBAN.....	5
6. BEÁLLÍTÁSOK FÉNYKÉP ÜZEMMÓDBAN.....	5
7. KAMERA BEÁLLÍTÁSOK.....	6
8. WIFI – MOBIL ALKALMAZÁS.....	7
9. VÍZÁLLÓSÁG.....	7
10. BIZTONSÁGI INTÉZKEDÉSEK.....	8

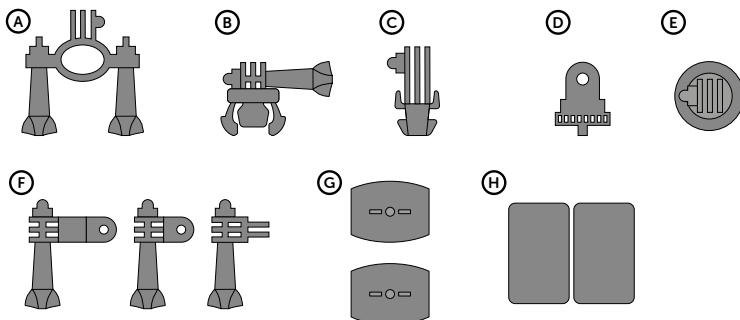
## 1. A CSOMAGOLÁS TARTALMA



- A** LAMAX W9.2 akciókamera
- B** 40 m-ig vízálló készülékház
- C** 2 m-ig vízálló távirányító
- D** Lítium-ion akkumulátor

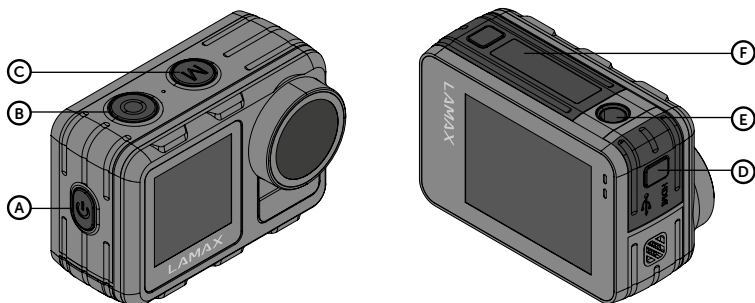
- E** Mikro USB-kábel töltéshez / fájlok továbbításához
- F** Mikroszálal törölkendő
- G** Mini állvány
- H** Tartók

## TARTÓK



- A Tartó botra – például kormányra szereléshez
- B Fast plug in – gyors tartóba pattintás
- C J-mount – a gyors bekattintáshoz kiálló résssel
- D Állvány szűkítő – kamera tartozékok nélküli állványra rögzítéséhez
- E Állványadapter – tokba helyezett kamera állványra rögzítéséhez
- F 3-axis connector (3 rész) – tetszőleges irányú rögzítéshez
- G Öntapadó tartó (2x) – sima felületre rögzítéshez (sisak, motorháztető)
- H Tartalék 3M matrica (2x) – az öntapadó tartó újbóli rögzítéséhez





## 2. MEGISMERKEDÉS A KAMERÁVAL



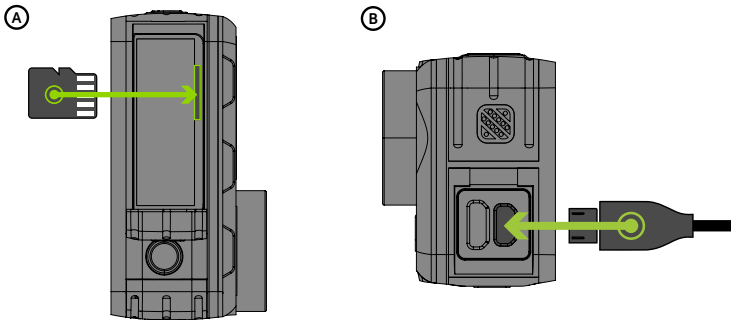
- A POWER gomb
- B REC gomb
- C MODE gomb
- D USB-C és mikro HDMI csatlakozóbemenet fedél
- E Elemház és micro SD kártya slot fedél
- F A kamerát állványra vagy szelfibotra rögzítő menet

**Megjegyzés:** Kizárólag ajánlott tartozékokat használjon, ellenkező esetben a kamera megsérülhet.

### 3. A KAMERA VEZÉRLÉSE

<b>Be- és kikapcsolás</b>	Tartsa lenyomva a POWER gombot, vagy húzza lefelé a hüvelykujját, majd nyomja meg a POWER ikont
<b>Felvétel elindítása / leállítása, fényképezés</b>	Nyomja meg a REC gombot
<b>Gyors üzemmód váltás fotó / videó</b>	Húzza oldalra a hüvelykujját, vagy nyomja meg a MODE gombot
<b>Üzemmód kiválasztása</b>	Érintse meg az ikont  vagy húzza fel a hüvelykujját, és válassza ki a kívánt módot
<b>Beállítások</b>	Érintse meg az ikont 
<b>Fájlok megtekintése</b>	Érintse meg az ikont 
<b>Kijelzők közötti váltás</b>	Tartsa lenyomva a MODE gombot
<b>WiFi be- /kikapcsolása</b>	Nyomja meg a POWER gombot, vagy érintse meg az ikonra kattintás után megjelenő „WiFi” ikont 

### 4. ELSŐ BEKAPCSOLÁS



#### Ⓐ HELYEZZE A MICROSD-KÁRTYÁT A KAMERÁBA AZ ÁBRÁN LÁTHATÓ MÓDON (CSATLAKOZÓKKAL AZ OBJEKTÍV FELÉ FORDÍTVA)

- Csak akkor helyezze be a kártyát, ha a kamera ki van kapcsolva, és nincs a számítógéphez csatlakoztatva.
- Az első használat alkalmával közvetlenül a kamerában formázza meg a kártyát.
- Ajánlott nagyobb írási sebességű és max. 128 GB kapacitású memóriakártyát használni (UHS Speed Class -U3 és nagyobb).

**Megjegyzés:** Kizárólag neves gyártók Micro SDHC vagy SDXC kártyáit használja. A nem neves gyártók kártyái nem garantálják az adattár helyes működését.

#### Ⓑ CSATLAKOZTASSA A KAMERÁT A TÁPHOZ

- A kamerát vagy a számítógéphez csatlakoztatva, vagy megvásárolható hálózati adapterrel töltheti.
- Az akkumulátor teljes feltöltése 0-ról 100%-ra megközelítőleg 4,5 órát vesz igénybe. A feltöltést követően a töltésjelző kialszik.

**Megjegyzés:** Az akkumulátor 0-ról 80%-ra töltése 2,5 órát vesz igénybe.

## 5. BEÁLLÍTÁSOK VIDEO MÓDBAN

<b>Videofelbontás</b>	A kamera által készített felvétel felbontásának és az FPS értékének (képkocka/másodperc) beállítása.
<b>Videófelvétel minőség</b>	A videófelvétel kívánt minőségének beállításai.
<b>Hangfelvétel</b>	Annak beállítása, hogy rögzítse-e a kamera a hangot.
<b>Expozíció</b>	Expozíció kompenzáció beállítások. A magasabb érték világosabb, az alacsonyabb pedig sötétebb videófelvételt jelent.
<b>Stabilizálás</b>	A legfeljebb 60 kép/mp fps mellett minden felbontásban rendelkezésre álló MaxSmooth stabilizálás be/kikapcsolása. Bekapcsolt stabilizálás esetén a látószög (FOV) kisebb, és rossz fényviszonyok esetén akár hátrányosan is befolyásolhatja a videófelvétel minőségét. Nem kombinálható a halszemjavító funkcióval.
<b>Hurokfelvétel</b>	Bekapcsolt állapotban a videó a kiválasztott beállítások szerinti időszakaszokra oszlik.
<b>Time-lapse intervallum</b>	A kamera által később egyetlen videófájlba elmentett felvételek készítési időintervalluma.
<b>Time-lapse időtartam</b>	Itt állítható be a time-lapse videó időtartama. A beállított idő leteltével a kijelző kikapcsol.
<b>Lassított videófelvétel</b>	Lelassított videók készítésére 60 - 120 fps felvételkészítési frekvenciával nyílik mód. A jobb eredmény érdekében ajánlott állványt használni.
<b>Felgyorsított videó</b>	Felgyorsított videófelvétel rögzítési beállítások.
<b>Szélzaj csökkentés</b>	A funkció erős szélben javítja a rögzített hangot.
<b>Metering</b>	Expozíció mérési mód beállítása. Három üzemmód közül választhat: „Közepes”, „Átlagos” és „Egy pont” <ul style="list-style-type: none"><li>➤ <b>Közép</b> – Ez a beállítás olyan tárgyak felvételére alkalmas, amelyek túlnyomó részt a felvétel közepén lesznek majd.</li><li>➤ <b>Átlagos</b> – Ez a beállítás esetén a kamera az egész jelenet kapcsán információkat szerez a fényviszonyokról, és beállítja az átlagos értékeket.</li><li>➤ <b>Egy pont</b> – Ez a beállítás lehetővé teszi a jelenet kis részének bemérését, az alapértelmezett beállítás központ. A felhasználó az érintőkijelző segítségével kiválaszthat egy másik pontot is, amelyhez a kamera hozzáigazítja az expozíciót.</li></ul>
<b>Videó dátumozás</b>	A dátum és idő videófelvételeken való elhelyezésének be-/kikapcsolása.

## 6. BEÁLLÍTÁSOK FÉNYKÉP ÜZEMMÓDBAN

<b>Fénykép felbontás</b>	A készített fényképek felbontásának beállítása.
<b>ISO</b>	ISO érték beállítása. A beállított ISO érték meghatározza a fényérzékenységet. Minél nagyobb az érték, annál világosabb a kép.
<b>Expozíció</b>	Expozíció kompenzáció beállítások. A nagyobb érték világosabb, az alacsonyabb érték sötétebb fényképet jelent.

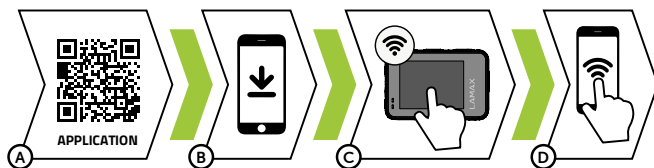


<b>Time-lapse intervallum</b>	Azon időintervallum beállítása amely során a kamera külön fájlként elmentésre kerülő képeket készít.
<b>Time-lapse időtartam</b>	Beállítja a time-lapse fényképek készítésének hosszát.
<b>Önkioldó</b>	Önkioldó időintervallumának beállítása.
<b>Hosszú expozíció</b>	Expozíciós időtartam beállítása. E beállítás esetén a kamera a normálisnál hosszabb ideig nyitva hagyja a rekeszt. A legjobb eredmény érdekében javasoljuk, hogy állványt használjon, és ne mozgassa a kamerát.
<b>Fénykép dátumozás</b>	A dátum és idő fényképeken való elhelyezésének be-/kikapcsolása.

## 7. KAMERA BEÁLLÍTÁSOK

<b>Hálózati frekvencia</b>	Lehetővé teszi az elosztóhálózati frekvenciának megfelelő frekvenciaérték kiválasztását (Európában ez az érték 50 Hz, Amerikában és Ázsia egy részében pedig 60 Hz).
<b>Hangok</b>	Be-/kikapcsolja a kamera rendszerhangjait és hangerejét.
<b>Fehér-egyensúly</b>	Fehér-egyensúly beállítása különböző fényviszonyok jellemezte felvétel esetén.
<b>Hatás</b>	Színmódok beállításai.
<b>LDC</b>	A felvételkedészítési látószög csökkentésével engedélyezi/letiltja az elektronikus halszem-kompenzációt. Nem kombinálható a képstabilizáló funkcióval.
<b>Dátum és idő</b>	Aktuális rendszerdátum és rendszeridő beállítások.
<b>Kijelzőkímélő</b>	Beállítja az időtartamot, amelynek lejártát követően a kijelző az akku kímélése érdekében automatikusan kikapcsol. Érintse meg a kijelzőt, vagy nyomja meg a gombokat a kijelző újbóli aktiválásához.
<b>Automatikus kikapcsolás</b>	A kamera automatikus kikapcsolásának beállításai téltlenség esetére. Bekapcsolt állapotban a kamera kikapcsol, ha nem rögzít videót.
<b>Automatikus felvételkedészítés bekapcsoláskor</b>	Be-/kikapcsolja az automatikus felvételkedészítést a kamera bekapcsolásakor.
<b>Nyelv</b>	Nyelvválasztás.
<b>Formázás</b>	A memóriakártyán lévő összes adat törlése.
<b>Rendszer</b>	Hozzáférést biztosít a fényképezőgép firmware-információihoz, a memóriakártya-információkhoz, valamint a kamerában visszaállíthatók a gyárilag beállított értékek.

## 8. WIFI – MOBIL ALKALMAZÁS



A mobil alkalmazás segítségével megváltoztathatja a kamera üzemmódjait és beállításait, vagy megtekintheti és közvetlenül a mobil készülékére is letöltheti a felvett videókat és rögzített fényképeket.

- A** Olvassa be a QR-kódot az alkalmazás letöltéséhez, vagy kattintson a következő linkre: <https://www.lamax-electronics.com/w92/app/>
- B** Telepítse az alkalmazást a mobil eszközére.
- C** A WiFi bekapcsolásához a kamerán nyomja meg a POWER gombot, vagy érintse meg az ikonra kattintás után megjelenő „WiFi” ikont Video 4K30.
- D** Csatlakozzon rá a mobilkészülékével a kamera nevével rendelkező WiFi hálózathoz. A WiFi jelszava megjelenik a kamera képernyőjén (alapértelmezett beállítás 1234567890).

## 9. VÍZÁLLÓSÁG

**A vízbe merítéssel szembeni ellenálló képesség a következő feltételek mellett teljesül:**

### AKCIÓKAMERA:

A kamera tok nélkül 12 méteres vízoszlopig vízálló. Vízbe merítés előtt ellenőrizze le, hogy a kamera oldalán és alján lévő fedelek megfelelően vannak-e lezárva. A fedeleket és tömítéseket meg kell tisztítani minden szennyeződéstől, pl. portól, homoktól, stb. Soha ne nyissa fel a kamera fedelét mindaddig, amíg a kamera teste meg nem száradt. Sós vízben történő használatot követően öblítse le a kamerát ivóvízzel. A szárításhoz soha ne használjon semmilyen textilt, se külső hőforrást (hajszárító, mikrohullámú sütő stb.), mindig hagyja, hogy a kamera lassan száradjon meg.

### VÍZÁLLÓ TOK:

A tok 40 méteres vízoszloppal szemben ellenálló. Mielőtt a kamerát a tokban használná, ellenőrizze le, hogy a tok hátsó ajtaja a tok tetején található mechanizmus segítségével megfelelően lett-e lezárva. A tok ajtaját és tömítéseit meg kell tisztítani minden szennyeződéstől, pl. portól, homoktól, stb. Sós vízben történő használatot követően öblítse le a tokot ivóvízzel. A szárításhoz soha ne használjon semmilyen textilt, se külső hőforrást (hajszárító, mikrohullámú sütő stb.), mindig hagyja, hogy a tok lassan száradjon meg. Vízálló tok használata esetén a kamera érintőképernyőjének felülete nem használható, és a kamerát a gombokkal kell működtetni.

### TÁVIRÁNYÍTÓ:

A távirányító 2 méteres vízoszloppal szemben ellenálló. Vízbe merítés előtt ellenőrizze le, hogy a távirányító alján található USB-fedél megfelelően le van-e zárva. Soha ne nyissa fel a fedelét, amíg meg nem száradt a távirányító teste. A szárításhoz soha ne használjon külső hőforrást (hajszárító, mikrohullámú sütő stb.), hagyja, hogy a távirányító lassan száradjon meg, vagy használjon puha szövetet.

## 10. BIZTONSÁGI INTÉZKEDÉSEK

**Az első használat előtt a felhasználó kötelessége elsajátítani a termék biztonságos használatának alapjait.**

### FIGYELMEZTETÉSEK ÉS MEGJEGYZÉSEK

- Saját biztonsága érdekében, ne kezelje a kamerát vezetés közben.
- Használjon autós tartót az autóban való használatához. Bizonyosodjon meg róla, hogy a kamera elhelyezése nem zavarja a vezetőt a kilátásban és ne legyen a légszák útjában.
- Bizonyosodjon meg róla, hogy ne legyen semmilyen tárgy vagy tükröződő anyag a lencse látóterében. Tartsa tisztán a lencsét.
- Ha a szélvédő sötétített vagy fóliázott, az befolyásolhatja a felvétel minőségét.
- A készülék érzékeny eszköz, kérjük, óvja a leejtéstől és ütődésektől.

### BIZTONSÁGI FIGYELMEZTETÉS

- Ne használja a töltőt nedves környezetben. Ne érintse meg a töltőt, ha vizes a keze, vagy a lába.
- Ne takarja le a töltőt használat közben, biztosítson megfelelő szellőzést körülötte.
- Megfelelő csatlakozóba dugja be a töltőt. A megfelelő volt érték megtalálható a csomagoláson.
- Ne használja a töltőt, ha sérülést lát rajta, ne javítsa saját kezűleg.
- Ha túlmelegedést tapasztalna, húzza ki a töltőt a csatlakozóból.
- Az eszközt csak felügyelet mellett töltsen!
- A csomagolás apró darabkákat tartalmaz, amelyek gyermekek számára veszélyt jelenthetnek. A terméket mindig tartsa a gyermekektől elzárva. A zacskók, illetve a bennük található darabkák lenyelése fulladást okozhat.

### BIZTONSÁGI ÚTMUTATÓ AZ LI-ION AKKUMULÁTOR


- Az első használat előtt az akkumulátort teljesen töltsen fel.
- Kizárólag olyan töltőt használjon, amelyet az ilyen típusú akkumulátor feltöltésére szántak.
- A feltöltés céljából használjon szabványos kábelt, ellenkező esetben a készülék károsodhat.
- A töltőhöz soha ne csatlakoztasson mechanikusan sérült vagy felduzzadt akkumulátort. Ilyen állapotban lévő akkumulátort soha ne használjon, mivel robbanásveszélyes.
- Ne használjon sérült töltőt vagy hálózati adaptert.
- Az akkumulátort szobahőmérsékleten töltsen fel, soha ne töltsen 0°C alatti, vagy 40°C feletti hőmérsékleten.
- Ügyeljen arra, hogy az akkumulátort ne ejtse le és óvja az ütésektől és egyéb sérülésektől. A sérült akkumulátort ne kísérelje megjavítani.
- Ügyeljen arra, hogy az akkumulátor és a töltő ne legyen kitéve nedvességnek és ne kerüljön érintkezésbe folyadékokkal, esővel, hóval.
- Az akkumulátort ne tárolja a gépjárműben és tartsa távol a napfénytől és más hőforrásoktól. Az erős fény és a magas hőmérséklet károsíthatja az akkumulátort.
- Feltöltés közben ne hagyja az akkumulátort felügyelet nélkül, mivel egy esetleges rövidzárlat vagy véletlen túltöltés (megtörténhet gyorsítottásra nem alkalmas akkumulátor esetén, vagy ha az akkumulátort túlságosan magas feszültségen töltjük, vagy sérült töltő használatával) veszélyes vegyi anyagok szivárgásához, robbanáshoz, vagy tűzhoz vezethet!
- Ha az akkumulátor töltés közben túlságosan felmelegszik, azonnal kapcsolja le az áramforrásról.
- Töltés közben a töltőt és az akkumulátort soha ne helyezze gyúlékony anyagokra és tárgyakra vagy ezek közelébe. Vigyázat a függönyökre, szőnyegekre, asztalterítőkre!
- Amint a készülék teljesen feltöltődött, biztonsági okokból azonnal kapcsolja le az áramforrásról.
- Az akkumulátort tartsa távol a gyermekektől és háziállatoktól.
- A töltőt és az akkumulátort soha ne szerelje szét.
- Amennyiben az ön készüléke integrált akkumulátorral rendelkezik, soha ne szerelje szét, eltérő rendelkezés hiányában. A készülék szétszerelése kockázatos, a termék sérüléséhez és ennek következtében garanciavesztéséhez vezethet.

- A használt vagy sérült akkumulátort ne dobja a szemétkosárba, tűzbe vagy fűtőberendezésekbe, hanem szolgáltassa be a veszélyes hulladék gyűjtőhelyeken.

## A KÉSZÜLÉK GONDOZÁSA

- A megfelelő készülék használat biztosítja a hibamentes működést és csökkenti a sérülés veszélyét.
- Tartsa távol erős nedvességtől és extrém hőmérsékletektől. Ne tegye ki tartósan erős napfénynek vagy UV sugárzásnak.
- Ne dobja le vagy tegye ki rázkódásnak.
- Ne tegye ki hirtelen és ismétlődő hőmérsékletváltozásnak, ez nedvesség lecsapódást okozhat a készülék belsejében, ami tönkre teheti a készüléket. Nedvesség lecsapódás esetén használat előtt, hagyja, hogy kiszáradjon a készülék.
- A kijelző könnyen megkarcolódhat. Kerülje az érintkezést éles tárgyakkal.
- Ne tisztítsa a készüléket bekapcsolt állapotban. Használjon finom törőruhát a kijelző, valamint a külső letörülésére. Ne használjon papír törőt a kijelzőhöz.
- Ne próbálja meg szétszedni, javítani, módosítani a készüléket. Szétszedés, módosítás vagy javítási kísérlet kárt okozhat a készülékben, sérülést, anyagi kárt okozhat és megszünteti garanciát.
- Ne tároljon éghető folyadékokat, gázokat és robbanásveszélyes anyagokat a készülék, alkatrészei vagy kiegészítői mellett.
- Ne hagyja a készüléket és tartozékait szem előtt a leparkolt autóban.
- Túlmelegedés károsíthatja a készüléket.
- Ha a kamera erősen klórozott vízzel vagy tengervízzel érintkezik, öblítse le ivóvízzel és szárítsa meg.
- A kamera megszáritásához ne használjon külső hőforrást, például mikrohullámú sütőt vagy hajszárítót.
- Úzás vagy búvárkodás előtt mindig győződjön meg róla, hogy az elemek fedelét vagy a tápkábel ajtaját nem hagyta-e nyitva. Ha igen, zárja le. Máskülönben a fényképezőgép nem lesz vízhatlan.
- Az érintésképernyőt csak az e célra szolgáló törőkendővel törölje le, hogy ne karcolódjon.

## TOVÁBBI TÁJÉKOZTATÁS

1) Háztartások részére: A terméken vagy kísérő dokumentációban lévő jelölés  azt jelenti, hogy az elektromos vagy elektronikus terméket az élekciklusa végén külön gyűjtőbe kell kidobni, nem szabad a háztartási hulladékba rakni. A termék megfelelő likvidálásával segíti megőrizni az értékes természeti forrásokat és segíti megelőzni az esetleges negatív hatásokat a környezetre és emberi egészségre, amit a hulladék nem megfelelő likvidálása okozhatna. További részletekért forduljon a helyi hatóságokhoz vagy a legközelebbi gyűjtőhelyre. A termék nem megfelelő likvidálása miatt a nemzeti törvények értelmében bírság is kiszabható. Tájékoztató az elektromos vagy elektronikus termékek likvidálásával kapcsolatban az Európai Közösségen kívüli államokban élő felhasználók részére: A terméken látható jelölés (áthúzott kuka) csupán az Európai tagállamokban érvényes. Az elektromos és elektronikus termékek megfelelő likvidálásával kapcsolatban kérjen részletes tájékoztatást a helyi hatóságoktól vagy a termék értékesítőjétől. Mindent kifejez az áthúzott kuka jelölése a terméken, csomagoláson vagy nyomtatott dokumentumokon.

2) A berendezés garanciális javítás igényét érvényesítse a forgalmazónál. Műszaki problémák és kérdések esetén lépjen kapcsolatba az értékesítővel, aki tájékoztatja Önt a további lépésekről. Tartsa be az elektromos berendezésekre vonatkozó előírásokat. A felhasználó nem jogosult a berendezés szétszerelésére sem bármely részének cseréjére. Amennyiben a borítást felnyitja vagy eltávolítja, az áramütés veszélyének teszi ki magát. A berendezés nem megfelelő összerakása és ismételt csatlakoztatása esetén is áramütés veszélyének teszi ki magát.

A termékekre 24 hónapos garanciális időszak vonatkozik, hacsak nincs érvényben más rendelkezés. A garancia nem vonatkozik a nem szabványos használat, a mechanikai sérülés, az agresszív körülményeknek való kitettség, az útmutatóval ellentétes kezelés és a szokásos kopás okozta károokra. Az elem garanciális ideje 24 hónap, kapacitása 6 hónap.

A gyártó, az importőr vagy a forgalmazó nem vállal felelősséget a készülék szerelésével vagy a termék nem megfelelő használatával okozott károkért.

### MEGFELELŐSÉGI NYILATKOZAT:

Az elem6 s.r.o. ezúton kijelenti, hogy az összes LAMAX készülék megfelel az 2014/30/EU és 2014/53/EU szabályozásban meghatározott alapfeltételeknek és az ezekhez kapcsolódó rendelkezéseknek. A termékek korlátozás nélkül forgalmazandók Németországban, Csehországban, Szlovákiában, Lengyelországban, Magyarországon, illetve az Európai Unió többi tagországában. eltérő rendelkezés hiányában a termékek jótállási időszaka 24 hónap. A megfelelőségi nyilatkozat a [www.lamax-electronics.com/support/doc](https://www.lamax-electronics.com/support/doc) weboldaltól tölthető le.

- A rádiókészülék a következő frekvenciasávban működnek: 2412 MHz–2462 MHz
- A frekvenciasávban sugárzott maximális rádiófrekvencia, amelyben a rádiókészülék üzemel: 12.51 dBm

### GYÁRTÓ:

elem6 s.r.o., Braškovská 308/158, 161 00 Praha 6  
<https://www.lamax-electronics.com>



**A nyomdai elírások miatt tévedés joga fenntartva.**

# LAMAX

ELECTRONICS

---

## LAMAX W9.2

ACTION CAMERA



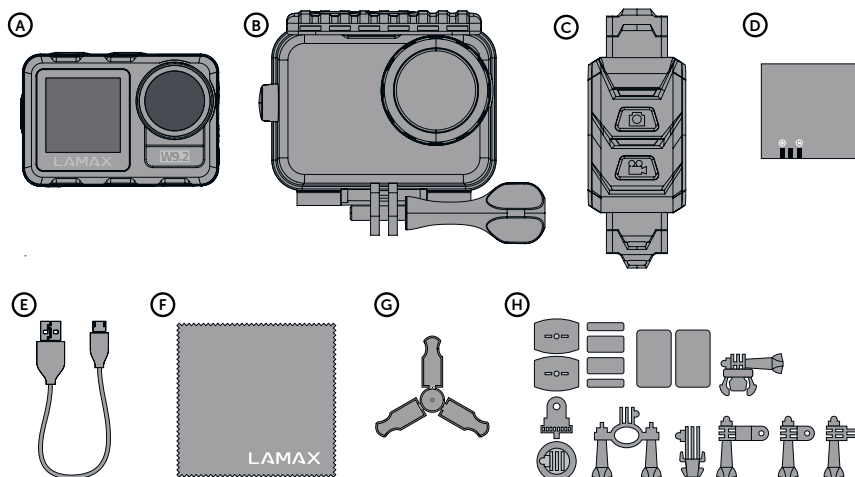
---

SL – Uporabniški priročnik

## VSEBINA

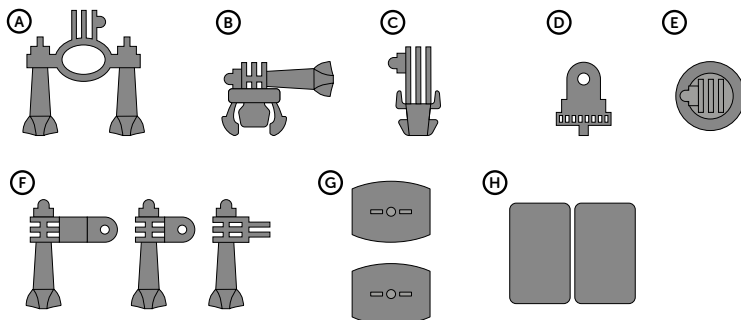
1. VSEBINA PAKIRANJA.....	2
2. SPOZNAVANJE KAMERE.....	3
3. UPRAVLJANJE KAMERE.....	4
4. PRVI VKLOP.....	4
5. NASTAVITVE VIDEO NAČINA.....	5
6. NASTAVITVE FOTO NAČINA.....	6
7. NASTAVITVE KAMERE.....	6
8. WIFI – MOBILNA APLIKACIJA.....	7
9. VODOODPORNOST.....	7
10. VARNOSTNI UKREPI.....	8

## 1. VSEBINA PAKIRANJA



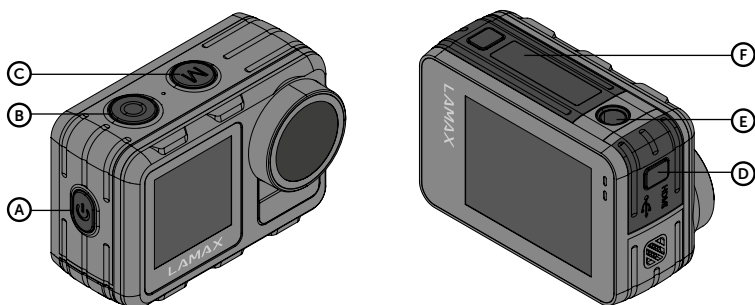
- ① Akcijska kamera LAMAX W9.2
- ② Vodotesno ohišje do 40 m
- ③ Vodoodporno daljinsko upravljanje do 2 m
- ④ Li-ionska baterija
- ⑤ Kabel USB-C za polnjenje/prenos datotek
- ⑥ Krpa iz mikrovlnen
- ⑦ Mini stojalo
- ⑧ Držala

## DRŽALA



- A** Držalo za palico – za pritrditev, na primer, na krmilo
- B** Fast plug-in – za hitro pričvrstitev držala
- C** J mount – za hitro pritrditev z možnostjo dviga
- D** Reducirni nastavek za stativ – za povezavo kamere brez etuija na dodatke
- E** Adapter za stativ – za povezavo kamere v etuiju na stativ
- F** 3-axis connector (3 deli) – za pritrditev v poljubni smeri
- G** Samolepilno držalo (2x) – za pritrditev na gladko površino (čelada, pokrov motorja)
- H** Nadomestne podložke 3M (2x) – za večkratno lepljenje samolepilnega držala

## 2. SPOZNAVANJE KAMERE







- A** Gumb POWER
- B** Gumb REC
- C** Gumb MODE
- D** Vratca za priključka USB-C in micro HDMI
- E** Vratca za baterijo in reža za kartico micro SD
- F** Navoj za pritrditev kamere na stojalo ali selfi palico

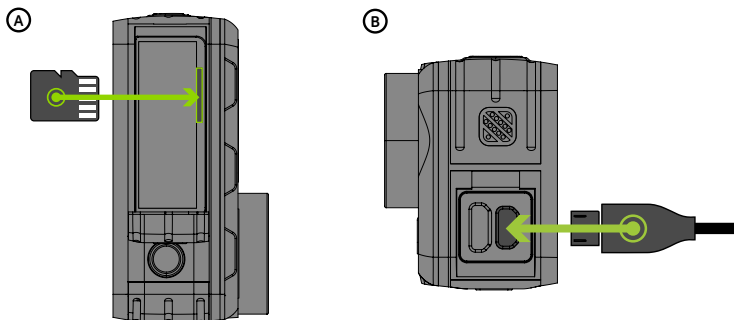
**Opomba:** Uporabljajte samo priporočene dodatke, sicer lahko pride do poškodbe kamere.



### 3. UPRAVLJANJE KAMERE

<b>Vklop / izklop</b>	Pritisnite in držite gumb POWER ali povlecite navzdol in pritisnite ikono POWER
<b>Začnite / ustavite snemanje ali fotografirajte</b>	Pritisnite gumb REC
<b>Hitro preklaplajte med načinom fotografiranja / snemanja</b>	Povlecite na stran ali pritisnite gumb MODE
<b>Izberite način</b>	Dotaknite se ikone  ali povlecite navzgor in izberite želeni nači
<b>Nastavitve</b>	Dotaknite se ikone 
<b>Ogled datotek</b>	Dotaknite se ikone 
<b>Preklop med zasloni</b>	Držite gumb MODE
<b>Vklop / izklop WiFi</b>	Pritisnite gumb POWER ali se dotaknite ikone WiFi, ki jo najdete s dotikom ikone 

### 4. PRVI VKLOP



#### **A) VSTAVITE KARTICO MICROSD V KAMERO, KOT PRIKAZUJE SLIKA (KONEKTORJI V SMERI OBJEKTIVA)**

- Pritisnite varnostni gumb na dnu fotoaparata. Potisnite vrata navzven in jih odprite.
- Kartico vstavljajte samo, ko je kamera izklopljena in ni priključena na računalnik.
- Kartico pri prvi uporabi formatirajte neposredno v kameri.
- Priporočamo pomnilniške kartice z večjo hitrostjo zapisovanja (UHS Speed Class –U3 in višje) in maksimalno velikost 128 GB.

**Opomba:** Uporabljajte le kartice Micro SDHC in SDXC priznanih proizvajalcev. Kartice ostalih proizvajalcev ne zagotavljajo pravilnega delovanja podatkovne shrambe.

#### **B) PRIKLJUČITE KAMERO NA NAPAJANJE**

- Kamero lahko polnite tako s priključitvijo na računalnik kot s pomočjo omrežnega adapterja, ki ga je mogoče dokupiti.
- Pred prvo uporabo baterijo povsem napolnite.
- Polnjenje baterije od 0 do 100 % traja približno 4,5 ure. Po napolnitvi kazalec polnjenja ugasne

**Opomba:** Polnjenje baterije od 0 do 80 % traja 2,5 ure.

## 5. NASTAVITVE VIDEO NAČINA

<b>Ločljivost videa</b>	Nastavitve ločljivosti in FPS (sličic na sekundo), pri katerih bo kamera snemala.
<b>Kakovost videa</b>	Nastavi zeleno kakovost videa.
<b>Snemanje zvoka</b>	Nastavi, ali bo kamera snemala zvok.
<b>Osvetlitev</b>	Nastavitev kompenzacije osvetlitve. Višja vrednost pomeni svetlejši video, nižja vrednost pomeni temnejši video.
<b>Stabilizacija</b>	Stabilizacija MaxSmooth vklop/izklop, na voljo pri vseh ločljivostih do največ 60 FPS. Ko je stabilizirana, je vidno polje (FOV) manjše in lahko negativno vpliva na kakovost videa pri slabih svetlobnih pogojih. Ni je mogoče kombinirati s funkcijo popravka ribjega očesa.
<b>Snemanje v zanki</b>	Ko je omogočeno, se video razdeli na časovne segmente glede na izbrane nastavitve.
<b>Interval časovnega zamika</b>	Nastavi časovni interval, v katerem bo kamera posnela fotografije, ki jih nato shrani kot eno video datoteko.
<b>Trajanje časovnega zamika</b>	Nastavi trajanje videoposnetka s časovnim zamikom. Ko preteče nastavljeni čas, se snemanje ustavi.
<b>Video z upočasnjenim posnetkom</b>	Videoposnetke z upočasnjenim posnetkom je mogoče snemati pri ločljivostih s hitrostjo sličic 60 FPS in 120 FPS. Za najboljše rezultate priporočamo uporabo stojala.
<b>Video s hitrim posnetkom</b>	Izbere vrednost za snemanje videoposnetka s hitrim posnetkom.
<b>Zmanjšanje hrupa vetra</b>	Izboljša zvok, posnet v močnem vetru.
<b>Merjenje</b>	Nastavi način merjenja osvetlitve. Na izbiro so trije načini („Center“, „Povprečje“ in „Ena točka“). <ul style="list-style-type: none"><li>› <b>Center</b> – za snemanje objektov, ki bodo večinoma v sredini posnetka.</li><li>› <b>Povprečje</b> – kamera pridobi informacije o svetlobi iz celotnega prizora in nastavi povprečne vrednosti.</li><li>› <b>Ena točka</b> – omogoča merjenje majhnega dela prizora, privzeta nastavitev je sredina. Z zaslonom na dotik izberite drugo točko, iz katere kamera določi osvetlitev.</li></ul>
<b>Žig datuma</b>	Vklopi/izklopi žig datuma in časa na posnetem videu.

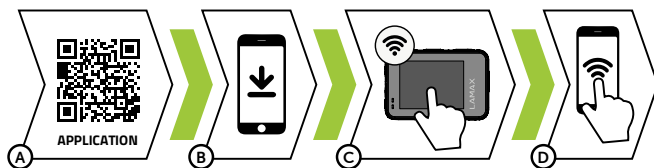
## 6. NASTAVITVE FOTO NAČINA

<b>Ločljivost fotografije</b>	Nastavi ločljivost posnetih fotografij.
<b>ISO</b>	Nastavitve ISO. Nastavitev vrednosti ISO določa njeno občutljivost na svetlobo.
<b>Osvetlitev</b>	Nastavitve kompenzacije osvetlitve. Višja vrednost pomeni svetlejšo fotografijo, nižja vrednost pomeni temnejšo fotografijo.
<b>Interval časovnega zamika</b>	Nastavi časovni interval, v katerem bo kamera posnela fotografije, ki jih shrani kot posamezne datoteke.
<b>Trajanje časovnega zamika</b>	Nastavi trajanje časovnega zamika fotografij.
<b>Samosprožilec</b>	Nastavi časovni interval za samosprožilec.
<b>Dolga osvetlitev</b>	Nastavi čas osvetlitve. Pri tej nastavitvi kamera pusti zaklop odprt dlje kot običajno. Za najboljše rezultate priporočamo uporabo stojala in ne premikanje kamere.
<b>Žig datuma</b>	Vklopi/izklopi žig datuma in časa na posneti fotografiji.


## 7. NASTAVITVE KAMERE

<b>Frekvenca omrežja</b>	Omogoča izbiro frekvence v skladu s frekvenco omrežja (na evropski celini je tok s frekvenco 50 Hz, v Ameriki in delih Azije pa 60 Hz).
<b>Zvoki</b>	Vklopi/izklopi zvoke sistema kamere in prilagodi njihovo glasnost.
<b>Bela svetloba</b>	Prilagodi ravnovesje bele barve za različne načine osvetlitve prizora.
<b>Učinki</b>	Nastavi barvne načine.
<b>LCD</b>	Vklopi/izklopi popravek ribjega očesa. Ko je vklopljen, zmanjša vidno polje. Ni ga mogoče kombinirati s funkcijo stabilizacije slike.
<b>Datum in čas</b>	Nastavi sistemski datum in čas.
<b>Ohranjevalnik zaslona</b>	Nastavi čas, po katerem se zaslon samodejno izklopi za varčevanje z baterijo. Z dotikom zaslona ali pritiskom na gumbe aktivirate zaslon ponovno.
<b>Samodejni izklop</b>	Nastavi, da se kamera samodejno izklopi, ko je v stanju pripravljenosti. Ko je vklopljen, se kamera izklopi, če ne snema videa.
<b>Samodejni vklop snemanja</b>	Nastavi kamero, da samodejno snema ob vklopu.
<b>Jezik</b>	Izbira jezika.
<b>Format</b>	Izbrši vse podatke na pomnilniški kartici.
<b>Sistem</b>	Dostop do informacij o programski opremi kamere, informacij o pomnilniški kartici ter obnavljanje tovarniških nastavitev.

## 8. WIFI – MOBILNA APLIKACIJA



S pomočjo mobilne aplikacije boste lahko spreminjali načine in nastavitve kamere ali si ogledovali ter prenašali posnete videe in fotografije neposredno na svoj mobilni telefon.

- A** Optično preberite kodo QR za prenos aplikacije ali kliknite na naslednjo povezavo: <https://www.lamax-electronics.com/w92/app/>
- B** Namestite aplikacijo na svojo mobilno napravo.
- C** Vključite WiFi kamere tako, da povlečete s palcem navzdol in nato pritisnete ikono WiFi .
- D** Na svoji mobilni napravi se povežite v omrežje WiFi z imenom kamere. Geslo za WiFi je prikazano na zaslonu kamere (tovarniško 12345678).

## 9. VODOODPORNOST

**Odpornost pri potopitvi v vodo je izpolnjena ob naslednjih pogojih:**

### AKCIJSKA KAMERA:

Kamera brez ovitka lahko prenese potopite do globine 12 metrov. Pred potapljanjem se pripravite, da so pokrovi ob strani in na dnu kamere pravilno zaprti. Pokrovi in tesnila morajo biti očiščeni vseh nečistoč, kot so prah, pesek in podobno. Pokrovov kamere ne odpirajte, dokler ni telo kamere povsem suho. V primeru, da ste kamero uporabljali v slani vodi, jo sperite s pitno vodo. Za sušenje ne uporabljajte nobenih tekstilnih materialov ali zunanjih virov toplote (sušilnik za lase, mikrovalovna pečica ipd.), vedno pustite, da se kamera posuši na zraku.

### VODOTESNI ETUI:

Etui se lahko potopi do globine 40 metrov. Pred uporabo kamere v etuiju se pripravite, da ste pravilno zaprli zadnja vratca etuija s pomočjo mehanizma na zgornji strani etuija. Vratca in tesnilo etuija mora biti brez kakršnekoli nečistoče, kot je prah, pesek in podobno. Pri uporabi v slani vodi sperite etui s pitno vodo. Za sušenje ne uporabljajte nobenih tekstilnih materialov ali zunanjega vira toplote (sušilnik za lase, mikrovalovna pečica ipd.), etui vedno pustite, da se postopoma posuši sam. V primeru uporabe vodotesnega etuija ni mogoče uporabiti površine na dotik zaslona kamere in je kamero treba upravljati z gumbi.

### DALJINSKI UPRAVLJALNIK:

Daljinski upravljalnik lahko prenese potopitev do globine 2 metrov. Pred potopitvijo se pripravite, da je pokrov USB na spodnji strani upravljalnika pravilno zaprt. Pokrova ne odpirajte, dokler ni telo daljinskega upravljalnika povsem suho. Za sušenje ne uporabljajte zunanjih virov toplote (sušilnik za lase, mikrovalovna pečica ipd.), pustite, da se daljinski upravljalnik posuši na zraku ali za sušenje uporabite mehko krpo.

## 10. VARNOSTNI UKREPI

**Pred prvo uporabo se je potrošnik dolžan seznaniti z načeli varne uporabe izdelka.**

### POLITIKE IN OBVESTILA

- Za zagotovitev lastne varnosti ne uporabljajte upravljalnih elementov te naprave med vožnjo.
- Pri uporabi snemalnika v avtomobilu je potrebno držalo za okna. Snemalnik postavite na primerno mesto, tako da ne ovira voznikovega pogleda ali aktiviranja varnostnih elementov (npr. zračnih blazin).
- Objektiv fotoaparata ne sme biti zakrit z ničemer in v bližini objektiva ne sme biti odsevnega materiala. Poskrbite, da bo leča čista.
- Če je vetrobransko steklo avtomobila zatemnjeno z odsevnim slojem, lahko to omeji kakovost posnetka.

### VARNOSTNA NAČELA

- Polnilnika ne uporabljajte v zelo vlažnem okolju. Nikoli se ne dotikajte polnilnika z mokrimi rokami ali ko stojite v vodi.
- Ko napajate napravo ali polnite baterijo, pustite okoli polnilnika dovolj prostora za kroženje zraka. Polnilnika ne prekrivajte s papirji ali drugimi predmeti, ki bi lahko poslabšali njegovo hlajenje. Ne uporabljajte polnilnika, ki je shranjen v transportni embalaži.
- Polnilnik priključite na pravi vir napetosti. Podatki o napetosti so navedeni na ohišju izdelka ali na njegovi embalaži.
- Polnilnika ne uporabljajte, če je očitno poškodovan. Če je naprava poškodovana, je ne popravljajte sami!
- V primeru premočnega segrevanja napravo takoj izključite iz električnega omrežja.
- Napravo polnite pod nadzorom.
- Paket vsebuje majhne dele, ki so lahko nevarni za otroke. Izdelek vedno shranjujte izven dosega otrok. Vrečke ali številni deli, ki jih vsebujejo, lahko povzročijo zadušitev, če jih zaužijete ali nanese te na glavo.


### VARNOSTNO OBVESTILO ZA LI-ION BATERIJE

- Pred prvo uporabo popolnoma napolnite baterijo.
- Za polnjenje uporabljajte samo polnilnik, ki je namenjen za to vrsto baterije.
- Uporabljajte standardne polnilne kable, sicer lahko poškodujete napravo.
- Na polnilnik nikoli ne priključite mehansko poškodovanih ali nabreklih baterij. Baterije v tem stanju sploh ne uporabljajte, obstaja nevarnost eksplozije.
- Ne uporabljajte poškodovanega napajalnika ali polnilnika.
- Polnite pri sobni temperaturi, nikoli ne polnite pod 0 °C ali nad 40 °C.
- Pazite se padcev, ne preluknjajte ali kako drugače poškodujte baterije. Nikoli ne popravljajte poškodovane baterije.
- Polnilnika ali baterije ne izpostavljajte vlagi, vodi, dežju, snegu ali raznim pršilom.
- Akumulatorja ne puščajte v vozilu, ne izpostavljajte ga sončni svetlobi in ga ne postavljajte v bližino virov toplote. Močna svetloba ali visoke temperature lahko poškodujejo baterijo.
- Nikoli ne puščajte baterij brez nadzora med polnjenjem, kratak stik ali nenamerno prekomerno polnjenje (pri bateriji, ki ni primerna za hitro polnjenje ali je napolnjena s prevelikim tokom ali v primeru okvare polnilnika) lahko povzroči uhajanje agresivnih kemikalij, eksplozijo ali posledično požar!
- Če se baterija med polnjenjem pregreje, takoj odklopite baterijo.
- Med polnjenjem ne postavljajte polnilnika in napolnjene baterije na ali v bližino vnetljivih predmetov. Bodite pozorni na zavese, preproge, prte itd.
- Ko je polnilna naprava popolnoma napolnjena, jo zaradi varnosti odklopite.
- Baterijo hranite izven dosega otrok in živali.
- Nikoli ne razstavljajte polnilnika ali baterije.
- Če je baterija vgrajena, nikoli ne razstavljajte naprave, razen če je navedeno drugače. Vsak tak poskus je tvegan in lahko povzroči poškodbe izdelka in posledično izgubo garancije.
- Izrabljenih ali poškodovanih baterij ne odvrzite v smeti, ogenj ali v kurilne naprave, temveč jih oddajte na zbirnih mestih za nevarne odpadke.

## VZDRŽEVANJE NAPRAVE

- Dobro vzdrževanje te naprave bo zagotovilo nemoteno delovanje in zmanjšalo tveganje poškodb.
- Naprave ne izpostavljajte ekstremni vlažnosti in temperaturam ter je ne izpostavljajte neposredni sončni svetlobi ali ultravijoličnemu sevanju za daljši čas.
- Naprave ne pazite na tla in je ne izpostavljajte močnim udarcem.
- Naprave ne izpostavljajte nenadnim in nenadnim temperaturnim spremembam. To lahko povzroči kondenzacijo vlage v napravi, kar lahko poškoduje napravo. Če pride do kondenzacije vlage, počakajte, da se naprava pred nadaljnjo uporabo popolnoma posuši.
- Površino zaslona je mogoče zlahka opraskati. Ne dotikajte se ga z ostrimi predmeti.
- Naprave ne čistite, ko je vklopljena. Zaslona in zunanjo površino naprave očistite z mehko krpo, ki ne pušča vlaken. Zaslona ne čistite s papirnatimi brisačami.
- Načeloma naprave ne poskušajte razstaviti, popraviti ali kakor koli spremeniti. Razstavljanje, spreminjanje ali kakršen koli poskus popravila razveljavi garancijo in lahko povzroči škodo na napravi ali celo telesne poškodbe ali materialno škodo.
- Ne shranjujte ali prevažajte vnetljivih tekočin, plinov ali eksplozivnih snovi skupaj z napravo, njenimi deli ali dodatki.
- Da preprečite krajo, naprave in dodatne opreme ne puščajte brez nadzora na vidnem mestu v vozilu.
- Pregrevanje lahko poškoduje napravo.
- V stiku z močno klorirano ali morskovo vodo sperite kamero v pitni vodi in jo posušite.
- Za sušenje fotoaparata ne uporabljajte zunanjega vira toplote, kot je mikrovalovna pečica ali sušilnik za lase.
- Pred plavanjem ali potapljanjem vedno preverite, da vratca baterije ali vratca za napajanje niso priprta. Če je tako, jih zaprite. V nasprotnem primeru fotoaparat ne bo vodotesen.
- Zaslona na dotik obrišite samo s krpo, ki je namenjena temu, in ga ne opraskajte.

## VEČ INFORMACIJ

1) Za gospodinjstva: Označen simbol () na izdelku ali v spremni dokumentaciji pomeni, da rabljenih električnih ali elektronskih izdelkov ne smete odlagati skupaj s komunalnimi odpadki. Za pravilno oddajo izdelka ga oddajte na za to določenih zbirnih mestih, kjer ga bodo sprejeli brezplačno. S pravilnim odlaganjem tega izdelka pomagate ohranjati dragocene naravne vire in pomagate preprečiti morebitne negativne vplive na okolje in zdravje ljudi, ki bi lahko nastali zaradi nepravilnega odlaganja odpadkov. Za več podrobnosti se obrnite na lokalne oblasti ali najbližje zbirno mesto. Nepravilno odlaganje te vrste odpadkov lahko povzroči globe v skladu z nacionalnimi predpisi. Informacije za uporabnike o odlaganju električne in elektronske opreme (uporaba v podjetju in za poslovne namene): Za pravilno odlaganje električne in elektronske opreme se za podrobnejše informacije obrnite na svojega prodajalca ali dobavitelja. Informacije za uporabnike za odlaganje električne in elektronske opreme v drugih državah izven Evropske unije: Zgornji simbol (prečrtan koš) velja le v državah Evropske unije. Za pravilno odlaganje električne in elektronske opreme zahtevajte podrobne informacije od svojih organov ali prodajalca opreme. Vse je izraženo s simbolom prečrtane embalaže na izdelku, embalaži ali tiskovinah.

2) Prijavite se za garancijsko popravilo naprave pri vašem prodajalcu. V primeru tehničnih težav in vprašanj se obrnite na vašega prodajalca, ki vas bo obvestil o nadaljnjem postopku. Upoštevajte pravila za delo z električnimi napravami. Uporabnik ni pooblaščen za razstavljanje naprave ali zamenjavo katerega koli njenega dela. Pri odpiranju ali odstranjevanju pokrovov obstaja nevarnost električnega udara. Prav tako tvegate električni udar, če napravo sestavite in ponovno priključite nepravilno.

Garancijski rok za izdelke je 24 mesecev, če ni drugače določeno. Garancija ne pokriva škode, ki nastane zaradi nestandardne uporabe, mehanskih poškodb, izpostavljenosti agresivnim pogojem, ravnanja v nasprotju z navodili in običajne obrabe. Garancijska doba za baterije je 24 mesecev, za kapaciteto 6 mesecev. Več informacij o garanciji najdete na [www.elem6.com/warranty](http://www.elem6.com/warranty)

Proizvajalec, uvoznik ali distributer ne odgovarja za morebitno škodo, povzročeno z namestitvijo ali napačno uporabo izdelka.

### EU IZJAVA O SKLADNOSTI:

Podjetje elem6 s.r.o. s tem izjavlja, da je naprava LAMAX W9.2 v skladu z bistvenimi zahtevami in drugimi ustreznimi določbami Direktive 2014/30/EU in 2014/53/EU. Vsi izdelki blagovne znamke LAMAX so namenjeni neomejeni prodaji v Nemčiji, na Češkem, Slovaškem, Poljskem, Madžarskem in v drugih državah članicah EU. Celotno izjavo o skladnosti lahko prenesete s spletnega mesta <https://www.lamax-electronics.com/support/doc/>

- Frekvenčni pas, v katerem radijska naprava deluje: 2412 MHz~2462 MHz
- Največja radiofrekvenčna moč, oddana v frekvenčnem pasu, v katerem deluje radijska oprema: 12,51 dBi

### PROIZVAJALEC:

elem6 s.r.o., Braškovská 308/158, 161 00 Praga 6  
[www.lamax-electronics.com](http://www.lamax-electronics.com)



**Pridržujemo si pravico do tiskarskih napak in sprememb v priročniku.**

# LAMAX

ELECTRONICS

---

## LAMAX W9.2

ACTION CAMERA



---

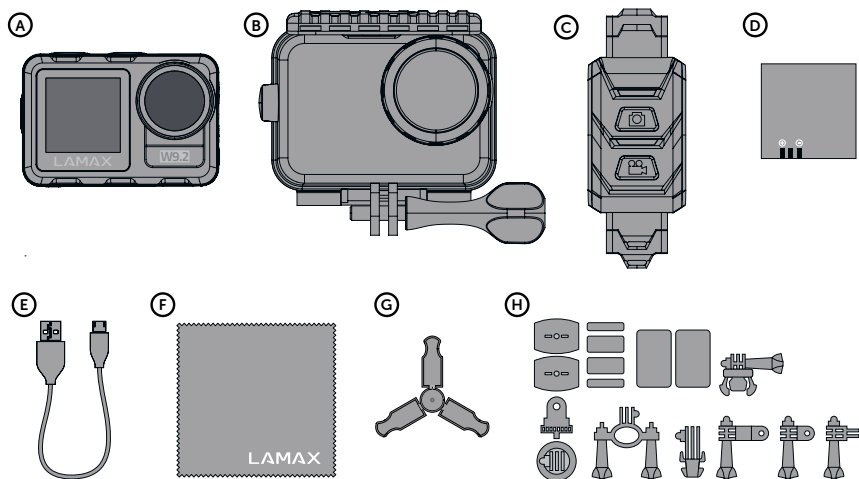
HR – Korisnički priručnik



## SADRŽAJ

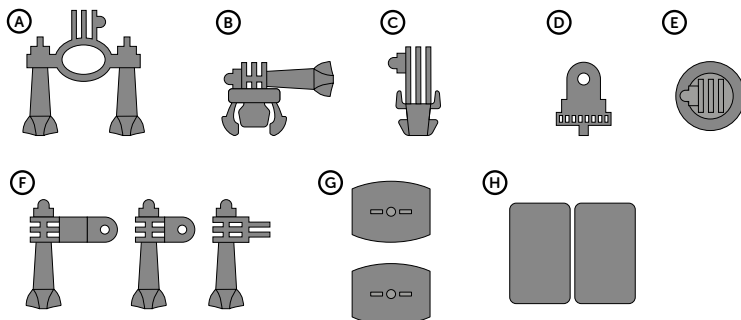
1. SADRŽAJ PAKIRANJA.....	2
2. UPOZNAVANJE KAMERE.....	3
3. UPRAVLJANJE KAMEROM.....	4
4. PRVO UKLJUČENJE.....	4
5. POSTAVKE VIDEO NAČINA.....	5
6. POSTAVKE U FOTO NAČINU.....	6
7. POSTAVKE KAMERE.....	6
8. WIFI - MOBILNA APLIKACIJA.....	7
9. VODOOTPORAN.....	7
10. SIGURNOSNE MJERE.....	8

### 1. SADRŽAJ PAKIRANJA



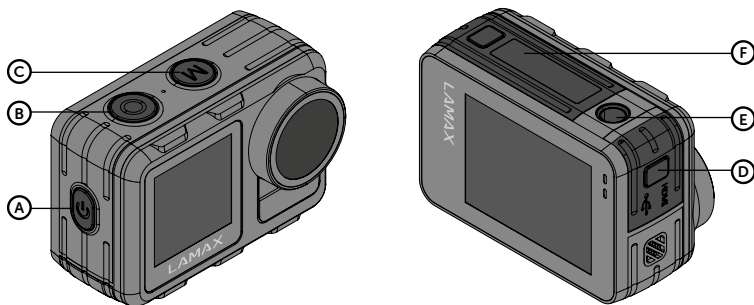
- ① Akcijska kamera LAMAX W9.2
- ② Vodonepropusno kućište za zaron do dubine od 40 m
- ③ Daljinski upravljač voodootporan do 2 m
- ④ Li-ion baterija
- ⑤ USB-C kabel za punjenje / prijenos datoteka
- ⑥ Krpica od mikrofibre
- ⑦ Ministativ
- ⑧ Držači

## DRŽAČI



- A** Držač za šipku – za pričvršćivanje npr. na upravljač
- B** Fast plug-in – za brzo spajanje na držač
- C** J mount – za brzo spajanje s podizanjem
- D** Redukcija za stativ – za spajanje kamere bez kućišta na dodatnu opremu
- E** Adapter za stativ – za spajanje kamere u kućištu na stativ
- F** 3-axis connector (3 dijela) – za pričvršćivanje u bilo kojem smjeru
- G** Samoljepljivi držač (2x) – za pričvršćivanje na glatku površinu (kaciga, poklopac motora)
- H** Rezervne 3M naljepnice (2x) – za ponovno lijepljenje samoljepljivog držača





## 2. UPOZNAVANJE KAMERE



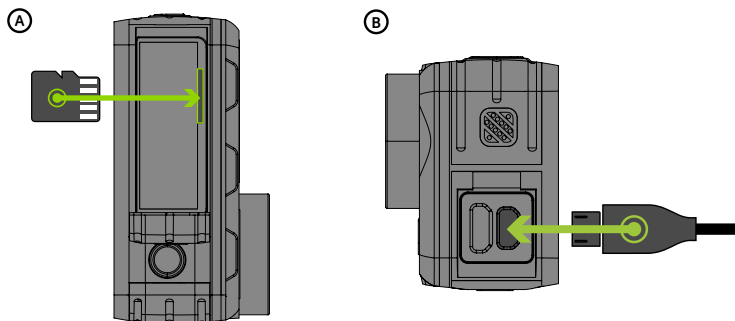
- A** Tipka POWER
- B** Tipka REC
- C** Tipka MODE
- D** Poklopac USB-C i mikro HDMI konektora
- E** Poklopac pretinca za bateriju i utora za mikro SD karticu
- F** Navoj za učvršćivanje kamere na stativ ili štap za slefije

**Napomena:** Koristite samo preporučenu dodatnu opremu, inače se kamera može oštetiti.

### 3. UPRAVLJANJE KAMEROM

<b>Uključivanje / isključivanje</b>	Držite pritisnutu tipku POWER ili povucite prema dolje i pritisnite ikonu POWER
<b>Započnite / zaustavite snimanje ili fotografirajte</b>	Pritisnite tipku REC
<b>Brzo prebacivanje između načina fotografiranja / snimanja</b>	Povucite u stranu ili pritisnite tipku MODE
<b>Odaberite način</b>	Touch the icon  ili povucite prema gore i odaberite željeni način
<b>Postavke</b>	Dodirnite ikonu 
<b>Pregledavanje datoteka</b>	Dodirnite ikonu 
<b>Prebacivanje između zaslona</b>	Držite tipku MODE
<b>Uključivanje / isključivanje WiFi</b>	Pritisnite tipku POWER ili dodirnite ikonu WiFi, koju možete pronaći dodiri na ikon 

### 4. PRVO UKLJUČENJE



#### **A) UMETNITE MICROSD KARTICU U KAMERU KAKO JE PRIKAZANO NA SLICI (KONEKTORI OKRENUTI PREMA OBJEKTIVU)**

- Pritisnite sigurnosnu tipku na dnu kamere. Gurnite vrata prema van i otvorite ih.
- Umetnite karticu samo kada je kamera isključena i nije spojena na računalo.
- Kada karticu koristite prvi put, formatirajte je izravno u kameri.
- Preporučujemo memorijske kartice s višom klasom brzine (UHS Speed Class – U3 i viša) i maksimalnog kapaciteta 128 GB.

**Napomena:** Koristite samo Micro SDHC ili SDXC kartice renomiranih proizvođača. Kartice nepoznatih proizvođača ne jamče ispravno funkcioniranje pohrane podataka.

#### **B) PRIKLJUČITE KAMERU NA NAPAJANJE**

- Kameru možete puniti tako da je spojite s računalom, kao i pomoću mrežnog adaptera koji se može kupiti.
- Prije prve upotrebe potpuno napunite bateriju.

- › Punjenje baterije od 0 do 100% traje otprilike 4 sata. Nakon punjenja, indikator napunjenosti baterije se gasi.

**Napomena:** Punjenje baterije od 0 do 80% traje 2,5 sata.

## 5. POSTAVKE VIDEO NAČINA

<b>Rezolucija videa</b>	Postavke rezolucije i FPS (sličica po sekundi) pri kojima će kamera snimati.
<b>Kvaliteta videa</b>	Postavlja željenu kvalitetu videa.
<b>Snimanje zvuka</b>	Postavlja hoće li kamera snimati zvuk.
<b>Ekspozicija</b>	Postavka kompenzacije ekspozicije. Viša vrijednost znači svjetliji video, niža vrijednost znači tamniji video.
<b>Stabilizacija</b>	MaxSmooth stabilizacija uključeno/isključeno, dostupno pri svim rezolucijama do maksimalno 60 FPS. Kada je stabilizirana, vidno polje (FOV) je manje i može negativno utjecati na kvalitetu videa u uvjetima slabog osvjetljenja. Ne može se kombinirati s funkcijom ispravka ribljeg oka.
<b>Snima u petlji</b>	Kada je omogućeno, video se dijeli na vremenske segmente prema odabranim postavkama.
<b>Interval vremenskog odmaka</b>	Postavlja vremenski interval u kojem će kamera snimati fotografije, koje zatim sprema kao jednu video datoteku.
<b>Trajanje vremenskog odmaka</b>	Postavlja trajanje videozapisa s vremenskim odmakom. Nakon što istekne zadano vrijeme, snimanje će se zaustaviti.
<b>Video usporenog snimanja</b>	Videi usporenog snimanja mogu se snimati pri rezolucijama s brzinom sličica od 60 FPS i 120 FPS. Za najbolje rezultate preporučujemo korištenje stativa.
<b>Video ubrzanog snimanja</b>	Odabire vrijednost za snimanje ubrzanog videozapisa.
<b>Smanjenje šuma vjetra</b>	Poboljšava zvuk snimljen u jakom vjetru.
<b>Mjerenje</b>	Postavlja način mjerenja ekspozicije. Dostupna su tri načina („Center“, „Prosječno“ i „Jedna točka“). <ul style="list-style-type: none"> <li>› <b>Center</b> – za snimanje objekata koji će uglavnom biti u sredini kadra.</li> <li>› <b>Prosječno</b> – kamera dobiva informacije o svjetlosti iz cijelog prizora i postavlja prosječne vrijednosti.</li> <li>› <b>Jedna točka</b> – omogućuje mjerenje malog dijela prizora, zadana postavka je središte. Pomoću zaslona na dodir odaberite drugu točku iz koje kamera određuje ekspoziciju.</li> </ul>
<b>Žig datuma</b>	Uključuje/isključuje žig datuma i vremena na snimljenom videu.

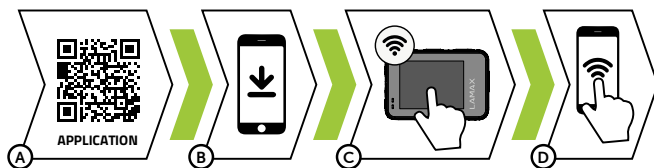
## 6. POSTAVKE U FOTO NAČINU

<b>Rezolucija fotografije</b>	Postavlja rezoluciju snimljenih fotografija.
<b>ISO</b>	Postavke ISO. Postavljanje vrijednosti ISO određuje njezinu osjetljivost na svjetlo.
<b>Ekspozicija</b>	Postavke kompenzacije ekspozicije. Viša vrijednost znači svjetliju fotografiju, niža vrijednost znači tamniju fotografiju.
<b>Interval vremenskog odmaka</b>	Postavlja vremenski interval u kojem će kamera snimati fotografije, koje zatim sprema kao pojedinačne datoteke.
<b>Trajanje vremenskog odmaka</b>	Postavlja trajanje vremenskog odmaka fotografija.
<b>Samospožičac</b>	Postavlja vremenski interval za samospožičac.
<b>Duga ekspozicija</b>	Postavlja vrijeme ekspozicije. Pri toj postavci kamera ostavlja zatvarač otvoren dulje nego inače. Za najbolje rezultate preporučujemo korištenje stativa i ne pomicanje kamere.
<b>Žig datuma</b>	Uključuje/isključuje žig datuma i vremena na snimljenoj fotografiji.

## 7. POSTAVKE KAMERE

<b>Frekvencija mreže</b>	Omogućuje odabir frekvencije u skladu s frekvencijom mreže (na europskom kontinentu struja ima frekvenciju od 50 Hz, u Americi i dijelovima Azije to je 60 Hz).
<b>Zvukovi</b>	Uključuje/isključuje zvukove sustava kamere i prilagođava njihovu glasnoću.
<b>Balans bijele</b>	Prilagođava balans bijele boje za različite načine osvjetljenja prizora.
<b>Efekti</b>	Postavlja načine boja.
<b>LCD</b>	Uključuje/isključuje ispravak ribljeg oka. Kada je uključeno, smanjuje vidno polje. Ne može se kombinirati s funkcijom stabilizacije slike.
<b>Datum i vrijeme</b>	Postavlja sistemski datum i vrijeme.
<b>Čuvar zaslona</b>	Postavlja vrijeme nakon kojeg se zaslon automatski isključuje radi uštede baterije. Dodirnite zaslon ili pritisnite gumba za ponovno aktiviranje zaslona.
<b>Automatsko isključivanje</b>	Postavlja kameru da se automatski isključi kada je u stanju mirovanja. Kada je uključeno, kamera se isključuje ako ne snima video.
<b>Automatsko snimanje pri uključivanju</b>	Postavlja kameru da automatski snima pri uključivanju.
<b>Jezik</b>	Odabire jezik.
<b>Format</b>	Briše sve podatke na memorijskoj kartici.
<b>Sustav</b>	Pristupa informacijama o firmveru kamere, informacijama o memorijskoj kartici kao i vraćanju tvorničkih postavki.

## 8. WIFI - MOBILNA APLIKACIJA



Zahvaljujući mobilnoj aplikaciji, moći ćete mijenjati režime i postavke kamere ili pregledavati i preuzimati snimljena videa i fotografije izravno na vaš mobilni uređaj.

- A** Skenirajte QR kod za preuzimanje aplikacije ili kliknite na sljedeću poveznicu:  
<https://www.lamax-electronics.com/w92/app/>
- B** Instalirajte aplikaciju na svoj mobilni uređaj.
- C** Uključite bežičnu mrežu u kameri povlačenjem palca prema dolje i zatim pritiskom ikone bežične kamere
- D** Na svom mobilnom uređaju povežite se na WiFi mrežu s nazivom kamere. WiFi lozinka prikazana je na zaslonu fotoaparata (zadano 12345678).

## 9. VODOOTPORAN

**Otpornost na uranjanje u vodu ispunjena je pod sljedećim uvjetima:**

### AKČNI KAMERA:

Kamera bez kućišta može izdržati ronjenje na dubinu do 12 metara. Prije ronjenja provjerite da su poklopci na bočnoj i donjoj strani kamere dobro zatvoreni. Poklopci i brtve moraju biti bez nečistoća kao što su prašina, pijesak i slično. Ne otvarajte poklopcu na kameri prije nego što se kućište kamere osuši. U slučaju upotrebe u slanoj vodi, isperite kameru vodom za piće. Za sušenje ne upotrebljavajte nikakve tekstilne tkanine ili vanjske izvore topline (sušilo za kosu, mikrovalnu pećnicu i sl.) već ostavite kameru da se polako osuši.

### VODOOTPORNO KUĆIŠTE:

Kućište može izdržati uranjanje do dubine od 40 metara. Prije korištenja kamere u kućištu, provjerite jesu li stražnja vrata kućišta dobro zatvorena pomoću mehanizma na vrhu kućišta. Vrata kućišta i brtva moraju biti čisti od svih nečistoća kao što su prašina, pijesak i slično. Kada koristite u slanoj vodi, isperite kućište pitkom vodom. Ne koristite nikakve tekstilne materijale ili vanjske izvore topline (sušilo za kosu, mikrovalnu pećnicu, itd.) za sušenje, uvijek pustite da se kućište polako suši. Ako se koristi voodootporno kućište, zaslon osjetljiv na dodir na zaslonu fotoaparata ne može se koristiti i fotoaparatom se mora upravljati pomoću gumba.

### DALJINSKI UPRAVLJAČ:

Daljinski upravljač može izdržati ronjenje na dubinu do 2 metra. Prije ronjenja provjerite da je poklopac USB-a na donjoj strani daljinskog upravljača dobro zatvoren. Ne otvarajte poklopac prije nego što se kućište daljinskog upravljača osuši. Za sušenje ne upotrebljavajte vanjske izvore topline (sušilo za kosu, mikrovalnu pećnicu i sl.) već ostavite daljinski upravljač da se polako osuši ili za sušenje upotrijebite meku tekstilnu tkaninu.

## 10. SIGURNOSNE MJERE

**Prije prve uporabe potrošač je dužan upoznati se s načelima sigurne uporabe proizvoda.**

### PRAVILA I OBAVIJESTI

- Kako biste osigurali vlastitu sigurnost, nemojte koristiti kontrole ovog uređaja tijekom vožnje.
- Kada koristite diktafon u automobilu, neophodan je držač za prozor. Postavite diktafon na prikladno mjesto tako da ne ometa pogled vozača ili aktiviranje sigurnosnih značajki (npr. zračnih jastuka).
- Objektiv fotoaparata ne smije biti blokiran ničim i u blizini objektiva ne smije biti nikakvog reflektirajućeg materijala. Održavajte leću čistom.
- Ako je vjetrobransko staklo automobila zatamnjeno reflektirajućim slojem, to može ograničiti kvalitetu snimanja.

### SIGURNOSNA NAČELA

- Nemojte koristiti punjač u vrlo vlažnom okruženju. Nikada nemojte dirati punjač mokrim rukama ili dok stojite u vodi.
- Kada napajate uređaj ili punite bateriju, ostavite dovoljno prostora oko punjača za cirkulaciju zraka. Ne prekrivajte punjač papirima ili drugim predmetima koji bi mogli ometati njegovo hlađenje. Nemojte koristiti punjač pohranjen u transportnom pakiranju.
- Spojite punjač na odgovarajući izvor napona. Podaci o naponu navedeni su na kućištu proizvoda ili pakiranju.
- Nemojte koristiti punjač ako je očito oštećen. Ako je uređaj oštećen, nemojte ga sami popravljati!
- U slučaju pretjeranog zagrijavanja, odmah isključite uređaj iz napajanja.
- Puniti uređaj pod nadzorom.
- Pakiranje sadrži sitne dijelove koji mogu biti opasni za djecu. Proizvod uvijek čuvajte izvan dohvata djece. Vrećice ili mnogi dijelovi koje sadrže mogu uzrokovati gušenje ako se progutaju ili prisone na glavu.


### OBAVIJEST O SIGURNOSTI ZA LI-ION BATERIJE

- Potpuno napunite bateriju prije prve uporabe.
- Za punjenje koristite samo punjač koji je predviđen za ovu vrstu baterije.
- Koristite standardne kabele za punjenje, inače se uređaj može oštetiti.
- Nikada ne priključujte mehanički oštećene ili natečene baterije na punjač. Nemojte uopće koristiti bateriju u ovom stanju, postoji opasnost od eksplozije.
- Nemojte koristiti oštećeni adapter ili punjač.
- Puniti na sobnoj temperaturi, nikad ne puniti ispod 0 °C ili iznad 40 °C.
- Pazite na padove, nemojte bušiti ili na drugi način oštetiti bateriju. Nikada ne popravljajte oštećenu bateriju.
- Ne izlažite punjač ili bateriju vlazi, vodi, kiši, snijegu ili raznim sprejevima.
- Ne ostavljajte bateriju u vozilu, ne izlažite je sunčevoj svjetlosti i ne stavljajte je blizu izvora topline. Jaka svjetlost ili visoke temperature mogu oštetiti bateriju.
- Nikada ne ostavljajte baterije bez nadzora tijekom punjenja, kratki spoj ili slučajno prekomjerno punjenje (baterije koja nije prikladna za brzo punjenje ili je napunjena prekomjernom strujom ili u slučaju kvara punjača) može uzrokovati curenje agresivnih kemikalija, eksploziju ili naknadni požar!
- Ako se baterija pregrije tijekom punjenja, odmah odspojite bateriju.
- Tijekom punjenja nemojte stavljati punjač i napunjenu bateriju na ili blizu zapaljivih predmeta. Obratite pozornost na zavjese, tepihe, stolnjake itd.
- Nakon što je uređaj za punjenje potpuno napunjen, isključite ga iz utičnice radi sigurnosti.
- Držite bateriju izvan dohvata djece i životinja.
- Nikada nemojte rastavljati punjač ili bateriju.
- Ako je baterija integrirana, nikada ne rastavljajte uređaj osim ako nije drugačije navedeno. Svaki takav pokušaj je riskantan i može dovesti do oštećenja proizvoda i kasnijeg gubitka jamstva.
- Istrošene ili oštećene baterije ne bacajte u kantu za smeće, vatru ili u uređaje za grijanje, već ih predajte na sabirnim mjestima opasnog otpada.

## ODRŽAVANJE UREĐAJA

- Dobro održavanje ovog uređaja osigurat će nesmetan rad i smanjiti rizik od oštećenja.
- Držite uređaj podalje od ekstremne vlage i temperatura i nemojte ga izlagati izravnoj sunčevoj svjetlosti ili ultraljubičastom zračenju dulje vrijeme.
- Ne ispuštajte uređaj i ne izlažite ga jakim udarcima.
- Ne izlažite uređaj naglim i naglim promjenama temperature. To može uzrokovati kondenzaciju vlage unutar uređaja, što može oštetiti uređaj. U slučaju da dođe do kondenzacije vlage, ostavite uređaj da se potpuno osuši prije daljnje uporabe.
- Površina zaslona može se lako izgubiti. Ne dirajte ga oštrim predmetima.
- Nemojte čistiti uređaj dok je uključen. Za čišćenje zaslona i vanjske površine uređaja koristite meku krpnu koja ne ostavlja dlačice. Ne čistite zaslon papirnatim ručnicima.
- U principu, nemojte pokušavati rastaviti, popraviti ili modificirati uređaj na bilo koji način. Rastavljanje, modifikacija ili bilo kakav pokušaj popravka poništiti će jamstvo i može rezultirati oštećenjem uređaja ili čak osobnom ozljedom ili oštećenjem imovine.
- Nemojte skladištiti niti transportirati zapaljive tekućine, plinove ili eksplozivne materijale zajedno s uređajem, njegovim dijelovima ili priborom.
- Kako biste spriječili krađu, ne ostavljajte uređaj i dodatke bez nadzora na vidljivom mjestu u vozilu.
- Pregrijavanje može oštetiti uređaj.
- U kontaktu s jako kloriranim ili morskom vodom, isperite kameru u vodi za piće i osušite je.
- Za sušenje fotoaparata nemojte koristiti vanjski izvor topline poput mikrovalne pećnice ili sušila za kosu.
- Prije plivanja ili ronjenja uvijek provjerite jesu li vratašca baterije ili vratašca priključka za napajanje odškrinuta. Ako je tako, zatvorite ih. U suprotnom, kamera neće biti vodootporna.
- Zaslon osjetljiv na dodir brišite samo za to namijenjenom krpom i izbjegavajte ga ogrebati.

## VIŠE INFORMACIJA

1) Za kućanstva: Navedeni simbol  na proizvodu ili u popratnoj dokumentaciji znači da se iskorišteni električni ili elektronički proizvodi ne smiju odlagati zajedno s komunalnim otpadom. Kako biste pravilno zbrinuli proizvod, predajte ga na za to predviđenim sabirnim mjestima, gdje će se besplatno preuzeti. Ispravnim zbrinjavanjem ovog proizvoda pomažete u očuvanju vrijednih prirodnih resursa i pomažete u sprječavanju mogućih negativnih utjecaja na okoliš i ljudsko zdravlje koji bi mogli nastati nepravilnim odlaganjem otpada. Za dodatne pojedinosti obratite se lokalnim vlastima ili najbližem sabirnom mjestu. Nepravilno zbrinjavanje ove vrste otpada može dovesti do novčanih kazni u skladu s nacionalnim propisima. Informacije za korisnike o odlaganju električne i elektroničke opreme (upotreba u tvrtki i poslovanju): Za pravilno odlaganje električne i elektroničke opreme zatražite detaljne informacije od svog prodavača ili dobavljača. Informacije za korisnike za odlaganje električne i elektroničke opreme u drugim zemljama izvan Europske unije: Gornji simbol (pocrtana kanta) vrijedi samo u zemljama Europske unije. Za ispravno zbrinjavanje električne i elektroničke opreme zatražite detaljne informacije od nadležnih tijela ili trgovca opremom. Sve je izraženo simbolom prekrizene posude na proizvodu, pakiranju ili tiskanim materijalima.

2) Podnesite zahtjev za jamstveni popravak uređaja kod svog prodavača. U slučaju tehničkih problema i pitanja obratite se svom prodavaču koji će Vas obavijestiti o daljnjem postupku. Pridržavajte se pravila za rad s električnim uređajima. Korisnik nije ovlašten rastavljati uređaj niti mijenjati bilo koji njegov dio. Prilikom otvaranja ili uklanjanja poklopca postoji opasnost od strujnog udara. Također se izlažete opasnosti od strujnog udara ako je uređaj pogrešno sastavljen i ponovno spojen.

Jamstveni rok za proizvode je 24 mjeseca, osim ako nije drugačije navedeno. Jamstvo ne pokriva oštećenja uzrokovana nestandardnom uporabom, mehaničkim oštećenjima, izlaganjem agresivnim uvjetima, rukovanjem u suprotnosti s uputama te normalnim trošenjem i habanjem. Jamstveni rok za bateriju je 24 mjeseca, za njen kapacitet 6 mjeseci. Više informacija o jamstvu možete pronaći na [www.elem6.com/warranty](http://www.elem6.com/warranty)

Proizvođač, uvoznik ili distributer neće biti odgovoran za bilo kakvu štetu nastalu ugradnjom ili zlouporabom proizvoda.



## EU IZJAVA O SUKLADNOSTI

Tvrtka elem6 s.r.o. ovime izjavljuje da je uređaj LAMAX W9.2 u skladu s osnovnim zahtjevima i drugim relevantnim odredbama Direktive 2014/30/EU i 2014/53/EU. Svi proizvodi marke LAMAX namijenjeni su prodaji bez ograničenja u Njemačkoj, Češkoj, Slovačkoj, Poljskoj, Mađarskoj i drugim zemljama članicama EU. Potpuna Izjava o sukladnosti može se preuzeti s <https://www.lamax-electronics.com/support/doc/>

- Frekvencijski pojas u kojem radio uređaj radi: 2412 MHz~2462 MHz
- Maksimalna radiofrekvencijska snaga koja se prenosi u frekvencijskom pojasu u kojem radi radijska oprema: 12,51 dBi

### PROIZVOĐAČ:

elem6 s.r.o., Braškovská 308/158, 161 00 Prag 6  
[www.lamax-electronics.com](http://www.lamax-electronics.com)



**Zadržavamo pravo na tiskarske pogreške i promjene u priručniku.**